

DESCRIPTION

Chimney liner system <SWK> single-walled chimney liners and ducts, made of acid-resistant chrome-nickel steel sheet (type 1.4404 according to DIN 17441). They protect the inner surfaces of ceramic chimneys (exhausting wet fumes from oil and gas fired appliances), from the destructive functioning of acids.

Maximum working temperature - 450°C

The system of single walled chimney liners allows the adjustment of already existing chimney ducts to new specific working conditions.

Certificate of Factory Production Control 1450-CPD-0007 issued by INiG Cracow. Marked with CE sign.



Heat resistant chimney liner system <SWKŻ> single-walled chimney liners, made of heat-resistant chrome-nickel steel sheet (type 1.4828 according to DIN 17441). They protect inner surfaces of ceramic chimneys extracting fumes from wood fired heating devices.

Maximum working temperature - 600°C

The system of single walled heat resistant chimney liners allows the adjustment of already existing chimney ducts to new specific working conditions.

Certificate of Factory Production Control 1450-CPD-0007 issued by INiG Cracow. Marked with CE sign.

Round pipes and fittings, made of chrome-nickel steel sheet (type 1.4301 according to DIN 17441), are being applied to the ducts of mechanical and gravitational ventilation systems, air-heating and air-conditioning systems.

Maximum working temperature - 250°C

APPLICATION OF CHIMNEYS AND RECOMMENDED SHEET THICKNESSES

| Diameter DN | W, S | | D | W |
|-------------|--------|--------|--------|---|
| | 1.4404 | 1.4828 | 1.4301 | |
| 80 | 0.5 | - | 0.6 | |
| 100 | 0.5 | - | 0.6 | |
| 110 | 0.5 | - | 0.6 | |
| 120 | 0.5 | 1.0 | 0.6 | |
| 130 | 0.5 | 1.0 | 0.6 | |
| 140 | 0.6 | 1.0 | 0.6 | |
| 150 | 0.6 | 1.0 | 0.6 | |
| 160 | 0.6 | 1.0 | 0.6 | |
| 180 | 0.6 | 1.0 | 0.6 | |
| 200 | 0.6 | 1.0 | 0.6 | |
| 225 | 0.6 | 1.0 | 0.6 | |
| 250 | 0.8 | 1.0 | 0.8 | |
| 280 | 0.8 | 1.0 | 0.8 | |
| 300 | 0.8 | 1.0 | 0.8 | |
| 325 | 0.8 | 1.0 | 0.8 | |
| 350 | 0.8 | 1.0 | 0.8 | |
| 400 | 1.0 | 1.0 | 1.0 | |
| 450 | 1.0 | - | 1.0 | |
| 500 | 1.0 | - | 1.0 | |

TABLE OF LAYOUTS AND SIZES

| Diameter DN | Lr | Dz | Dw | Dk | S |
|-------------|------|-------|-------|-------|-----|
| 80 | 250 | 80.1 | 79.1 | 81.1 | 0.5 |
| 100 | 315 | 100.8 | 99.8 | 101.8 | |
| 110 | 350 | 111.9 | 110.9 | 112.9 | |
| 120 | 385 | 123.0 | 122.0 | 124.0 | |
| 130 | 415 | 132.6 | 131.6 | 133.6 | |
| 140 | 440 | 140.7 | 139.5 | 141.7 | 0.6 |
| 150 | 475 | 151.8 | 150.6 | 152.8 | |
| 160 | 505 | 161.4 | 160.2 | 162.4 | |
| 180 | 570 | 182.0 | 180.8 | 183.0 | |
| 200 | 630 | 201.1 | 199.9 | 202.1 | |
| 225 | 710 | 226.6 | 225.4 | 227.6 | 0.8 |
| 250 | 790 | 252.3 | 250.7 | 253.3 | |
| 280 | 880 | 280.9 | 279.3 | 282.6 | |
| 300 | 945 | 301.6 | 300.0 | 302.6 | |
| 325 | 1020 | 325.5 | 323.9 | 327.0 | |
| 350 | 1100 | 350.9 | 349.3 | 352.4 | 1.0 |
| 400 | 1260 | 402.1 | 400.1 | 403.6 | |
| 450 | 1415 | 451.4 | 449.4 | 452.9 | |
| 500 | 1575 | 502.3 | 500.3 | 503.8 | |

DESTINATION

W - ventilation ducts
S - fume (oil and gas) ducts
D - smoke ducts

MEASUREMENTS

Lr- metal sheet layout [mm] ±0,1
Dz- outer diameter of pipe [mm] ±0,1
Dw- inner diameter of pipe [mm] ±0,1
Dk- inner diameter of bell joint of pipe [mm] ±0,1
S- metal sheet thickness [mm]

BELL JOINT OF THE PIPE

Individual elements of the chimney system are being joint by the way of pushing one part of the element - a spigot, into the other press-formed part of the element - a bell. Thanks to this type of pipe joining, chimney liner is characterized by very tight and stiff construction. It also assures the proper flow of condensate, along walls of the chimney straight to the condensate drain bowl.

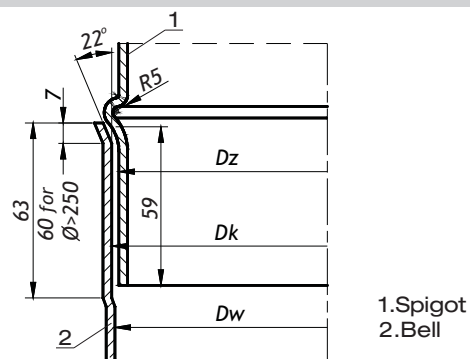
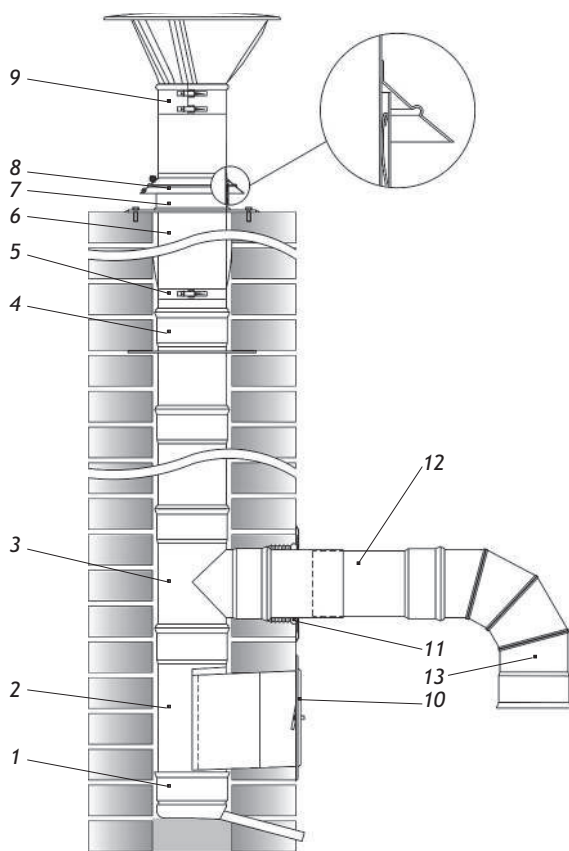


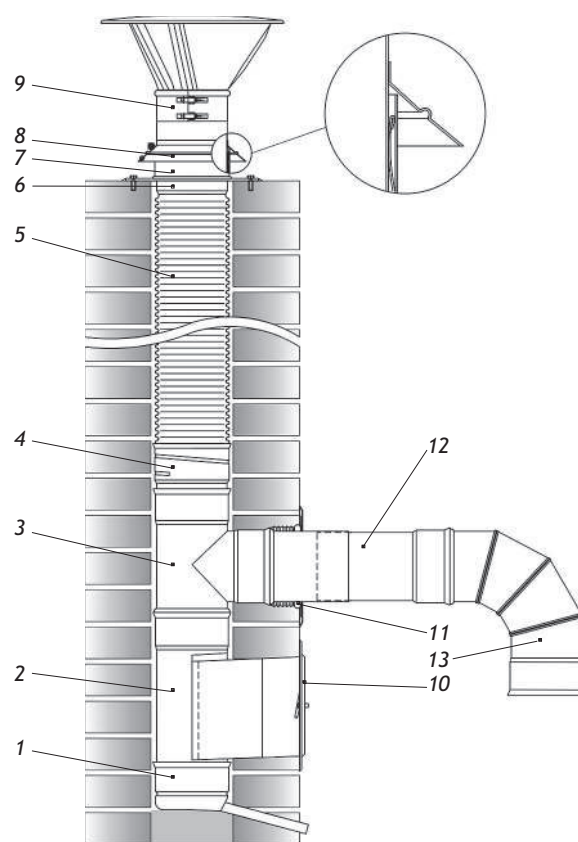
Fig.9. The method of joining single-walled pipe elements.

MODEL APPLICATION OF THE ELEMENTS



| Pos | Name | Denotation |
|-----|------------------------|-----------------|
| 1 | Condensate drain bowl | MS150-CH |
| 2 | Clean out element | WC150-CH6 |
| 3 | Tee 90° | TR150/90-CH6 |
| 4 | Intermediate support | PP150-CH6 |
| 5 | Stabilizing brackets | OU150-CH |
| 6 | Straight pipe 1m | RP150/1000-CH6 |
| 7 | Roof plate | PD150-CH |
| 8 | Rain collar | KPD150-CH |
| 9 | Cap | DK150-CH6 |
| 10 | Doors | DW125X185 |
| 11 | Rosette | ROZ150-H17 |
| 12 | Telescopic pipe | RT150/2X250-CH6 |
| 13 | Adjustable elbow 0-90° | KN150/90-CH6 |

Fig.10. An example of a single walled chimney construction (rigid pipes)



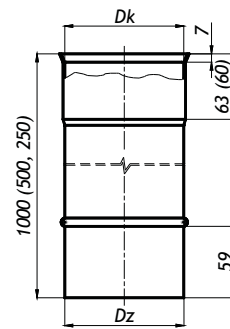
| Pos | Name | Denotation |
|-----|-------------------------------------|-----------------|
| 1 | Condensate drain bowl | MS150-CH |
| 2 | Clean out element | WC150-CH6 |
| 3 | Tee 90° | TR150/90-CH6 |
| 4 | Flexible pipe bell-type connector | ZRD150-CH6-K-ST |
| 5 | Stainless flexible pipe | RESF 150-CH |
| 6 | Flexible pipe spigot-type connector | ZRD150-CH6-N-ST |
| 7 | Roof plate | PD150-CH |
| 8 | Rain collar | KPD150-CH |
| 9 | Cap | DK150-CH6 |
| 10 | Doors | DW125X185 |
| 11 | Rosette | ROZ150-H17 |
| 12 | Telescopic pipe | RT150/2X250-CH6 |
| 13 | Adjustable elbow 0-90° | KN150/90-CH6 |

Fig.11. An example of a single walled chimney construction (flexible pipes)

PICTURE

MEASUREMENTS

1. STRAIGHT PIPE RP

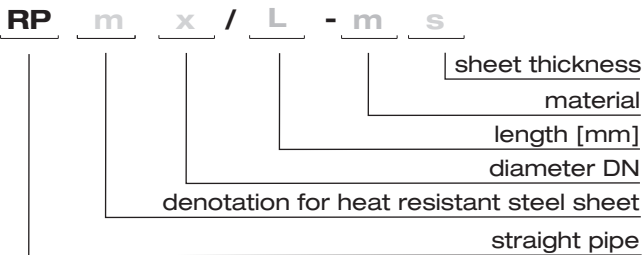


RP

| Diameter DN | Ø80 | Ø100 | Ø110 | Ø120 | Ø130 | Ø140 | Ø150 | Ø160 | Ø180 | Ø200 | Ø225 | Ø250 | Ø300 | Ø350 | Ø400 | Ø450 | Ø500 | for s=0.6 |
|-------------|------|-------|-------|-------|-------|-------|-------|-------|-------|-------|-------|-------|-------|-------|-------|-------|-------|-----------|
| Dz | 80.2 | 100.9 | 112.1 | 123.2 | 132.8 | 140.7 | 151.9 | 161.4 | 182.1 | 201.2 | 226.7 | 252.2 | 301.6 | 350.9 | 401.9 | 451.2 | 502.2 | |
| Dk | 81.2 | 101.9 | 113.1 | 124.2 | 133.8 | 141.7 | 152.9 | 162.4 | 183.1 | 202.2 | 227.7 | 253.2 | 302.6 | 351.9 | 402.9 | 452.2 | 503.2 | |
| Weight [kg] | 1.20 | 1.50 | 1.70 | 1.85 | 2.00 | 2.10 | 2.30 | 2.40 | 2.75 | 3.00 | 3.40 | 3.80 | 4.55 | 5.30 | 6.05 | 6.80 | 7.55 | |

DENOTATIONS / PRODUCT CODES

MATERIALS

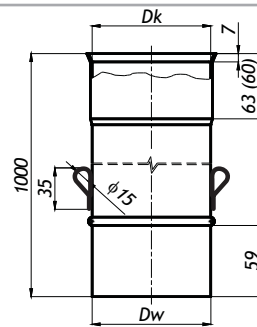


| | | | | |
|-------------------|----|---|---|---------------------------------|
| Destination | W | W | - | W - ventilation ducts |
| | S | - | - | S - flue (oil and gas) ducts |
| | - | - | D | D - smoke ducts |
| Material | CH | - | - | CH - stainless steel 1.4404 |
| | - | X | - | X - stainless steel 1.4301 |
| | - | - | Z | Z - heat resistant steel 1.4828 |
| Sheet thickness s | 5 | - | - | 5 - thickness 0,5 mm |
| | 6 | 6 | - | 6 - thickness 0,6 mm |
| | 8 | 8 | 8 | 8 - thickness 0,8 mm |
| | 1 | 1 | 1 | 1 - thickness 1,0 mm |

PICTURE

MEASUREMENTS

2. STRAIGHT PIPE 1000 WITH MOUNTING HANDLES RU

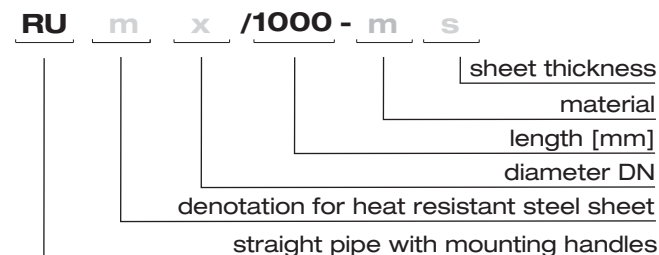


RU

| Diameter DN | Ø80 | Ø100 | Ø110 | Ø120 | Ø130 | Ø140 | Ø150 | Ø160 | Ø180 | Ø200 | Ø225 | Ø250 | Ø300 | Ø350 | Ø400 | Ø450 | Ø500 | for s=0.6 |
|-------------|------|-------|-------|-------|-------|-------|-------|-------|-------|-------|-------|-------|-------|-------|-------|-------|-------|-----------|
| Dz | 80.2 | 100.9 | 112.1 | 123.2 | 132.8 | 140.7 | 151.9 | 161.4 | 182.1 | 201.2 | 226.7 | 252.2 | 301.6 | 350.9 | 401.9 | 451.2 | 502.2 | |
| Dk | 81.2 | 101.9 | 113.1 | 124.2 | 133.8 | 141.7 | 152.9 | 162.4 | 183.1 | 202.2 | 227.7 | 253.2 | 302.6 | 351.9 | 402.9 | 452.2 | 503.2 | |
| Weight [kg] | 1.20 | 1.50 | 1.70 | 1.85 | 2.00 | 2.10 | 2.30 | 2.40 | 2.75 | 3.00 | 3.40 | 3.80 | 4.55 | 5.30 | 6.05 | 6.80 | 7.55 | |

DENOTATIONS / PRODUCT CODES

MATERIALS



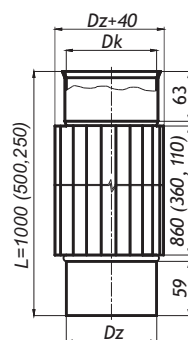
| | | | | |
|-------------------|----|---|---|---------------------------------|
| Destination | W | W | - | W - ventilation ducts |
| | S | - | - | S - flue (oil and gas) ducts |
| | - | - | D | D - smoke ducts |
| Material | CH | - | - | CH - stainless steel 1.4404 |
| | - | X | - | X - stainless steel 1.4301 |
| | - | - | Z | Z - heat resistant steel 1.4828 |
| Sheet thickness s | 5 | - | - | 5 - thickness 0,5 mm |
| | 6 | 6 | - | 6 - thickness 0,6 mm |
| | 8 | 8 | 8 | 8 - thickness 0,8 mm |
| | 1 | 1 | 1 | 1 - thickness 1,0 mm |

PICTURE

MEASUREMENTS

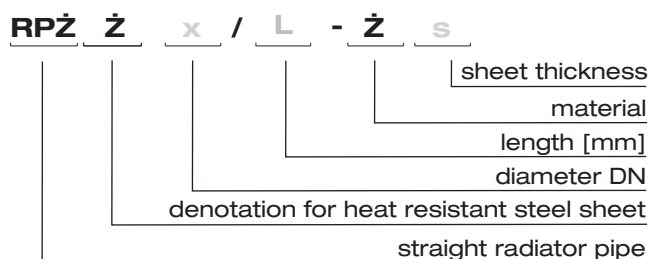
3. STRAIGHT RADIATOR PIPE RPŽŽ

RPŽŽ



| Diameter DN | Ø120 | Ø130 | Ø140 | Ø150 | Ø160 | Ø180 | Ø200 | Ø225 | Ø250 | Ø300 | for s=1.0 |
|-------------|-------|-------|-------|-------|-------|-------|-------|-------|-------|-------|-----------|
| Dz | 123.2 | 132.8 | 140.7 | 151.9 | 161.4 | 182.1 | 201.2 | 226.7 | 252.2 | 301.6 | |
| Dk | 124.2 | 133.8 | 141.7 | 152.9 | 162.4 | 183.1 | 202.2 | 227.7 | 253.2 | 302.6 | |
| Weight [kg] | 6.05 | 6.60 | 7.15 | 7.60 | 8.20 | 9.10 | 10.15 | 11.45 | 12.75 | 15.30 | |

DENOTATIONS / PRODUCT CODES



MATERIALS

| Destination | - | - | - | W - ventilation ducts |
|-------------------|---|---|---|---------------------------------|
| | - | - | - | S - flue (oil and gas) ducts |
| | - | - | D | D - smoke ducts |
| Material | - | - | - | CH - stainless steel 1.4404 |
| | - | - | X | X - stainless steel 1.4301 |
| | - | - | Ž | Ž - heat resistant steel 1.4828 |
| Sheet thickness s | - | - | - | 5 - thickness 0,5 mm |
| | - | - | - | 6 - thickness 0,6 mm |
| | - | - | 8 | 8 - thickness 0,8 mm |
| | - | - | 1 | 1 - thickness 1,0 mm |

PICTURE

MEASUREMENTS

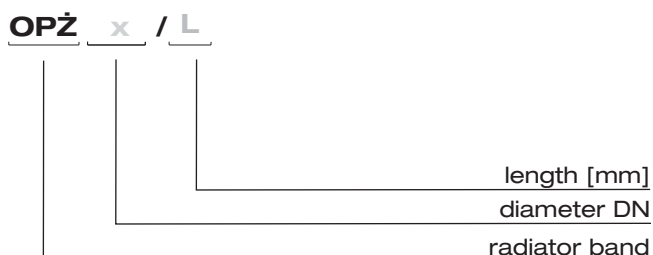
4. RADIATOR BAND OPŽ

OPŽ



| Diameter DN | Ø120 | Ø130 | Ø140 | Ø150 | Ø160 | Ø180 | Ø200 | Ø225 | Ø250 | Ø300 | for s=0.6 |
|-------------|-------|-------|-------|-------|-------|-------|-------|-------|-------|-------|-----------|
| Dw | 123.2 | 132.8 | 140.7 | 151.9 | 161.4 | 182.1 | 201.2 | 226.7 | 252.2 | 301.6 | |
| Weight [kg] | 2.90 | 3.30 | 3.60 | 3.80 | 4.10 | 4.60 | 5.10 | 5.80 | 6.45 | 7.75 | |

DENOTATIONS / PRODUCT CODES



MATERIALS

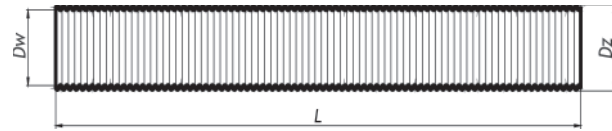
| Destination | - | - | - | W - ventilation ducts |
|-------------------|---|---|---|---------------------------------|
| | - | - | - | S - flue (oil and gas) ducts |
| | - | - | D | D - smoke ducts |
| Material | - | - | - | CH - stainless steel 1.4404 |
| | - | - | X | X - stainless steel 1.4301 |
| | - | - | Ž | Ž - heat resistant steel 1.4828 |
| Sheet thickness s | - | - | - | 5 - thickness 0,5 mm |
| | - | - | 6 | 6 - thickness 0,6 mm |
| | - | - | 8 | 8 - thickness 0,8 mm |
| | - | - | 1 | 1 - thickness 1,0 mm |

PICTURE

MEASUREMENTS

5. SINGLE WALLED FLEXIBLE STAINLESS PIPE RESF

RESF



| Diameter DN | Ø80 | Ø100 | Ø110 | Ø120 | Ø130 | Ø140 | Ø150 | Ø160 | Ø180 | Ø200 | for s=0.12 |
|-------------|------|------|------|------|------|------|------|------|------|------|------------|
| Dw | 80 | 100 | 110 | 120 | 130 | 140 | 150 | 160 | 180 | 200 | |
| Dz | 87 | 107 | 107 | 127 | 137 | 147 | 157 | 167 | 187 | 207 | |
| Weight [kg] | 0.70 | 0.90 | 1.00 | 1.10 | 1.20 | 1.25 | 1.35 | 1.45 | 1.65 | 1.80 | |

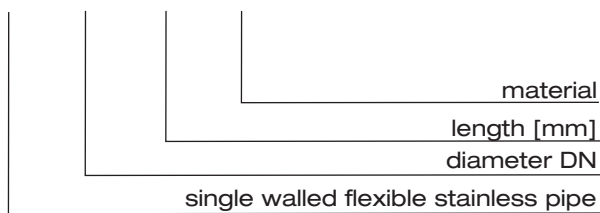
Weight of 1mb of flexible pipe

Maximum length = 50 [m]
Minimal bending radius = 3D
Max. working temp = 600°C

DENOTATIONS / PRODUCT CODES

MATERIALS

RESF x / L - CH



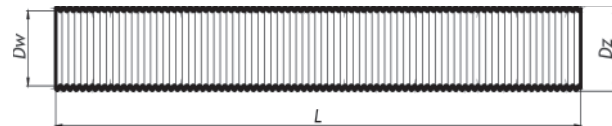
| | | | | |
|-------------------|----|---|---|---------------------------------|
| Destination | W | - | - | W - ventilation ducts |
| | S | - | - | S - flue (oil and gas) ducts |
| | - | - | - | D - smoke ducts |
| Material | CH | - | - | CH - stainless steel 1.4404 |
| | - | - | - | X - stainless steel 1.4301 |
| | - | - | - | Z - heat resistant steel 1.4828 |
| Sheet thickness s | 12 | - | - | 12 - thickness 0,12 mm |
| | - | - | - | 6 - thickness 0,6 mm |
| | - | - | - | 8 - thickness 0,8 mm |
| | - | - | - | 1 - thickness 1,0 mm |

PICTURE

MEASUREMENTS

6. DOUBLE - WALLED FLEXIBLE STAINLESS PIPE DUOFLEX

DUO



| Diameter DN | Ø130 | Ø150 | Ø180 | Ø200 | for s=2x0.12 |
|-------------|------|------|------|------|--------------|
| Dw | 130 | 150 | 180 | 200 | |
| Dz | 137 | 157 | 187 | 207 | |
| Weight [kg] | 2.40 | 2.70 | 3.20 | 3.60 | |

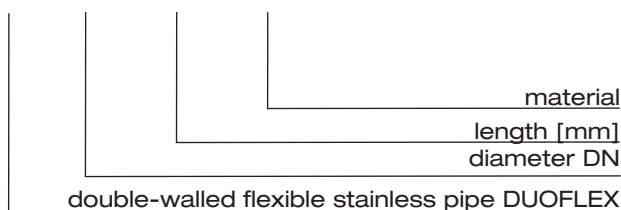
Weight of 1mb of flexible pipe

Maximum length = 30 [m]
Minimal bending radius = 0,4[m]
Max. working temp = 600°C

DENOTATIONS / PRODUCT CODES

MATERIALS

DUO x / L - CH



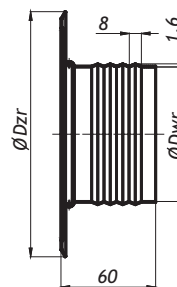
| | | | | |
|-------------------|------|---|---|---------------------------------|
| Destination | W | - | - | W - ventilation ducts |
| | S | - | - | S - flue (oil and gas) ducts |
| | D | - | - | D - smoke ducts |
| Material | CH | - | - | CH - stainless steel 1.4404 |
| | - | - | - | X - stainless steel 1.4301 |
| | - | - | - | Z - heat resistant steel 1.4828 |
| Sheet thickness s | 2x12 | - | - | 12 - thickness 0,12 mm |
| | - | - | - | 6 - thickness 0,6 mm |
| | - | - | - | 8 - thickness 0,8 mm |
| | - | - | - | 1 - thickness 1,0 mm |

PICTURE

MEASUREMENTS

7. ROSETTE ROZ

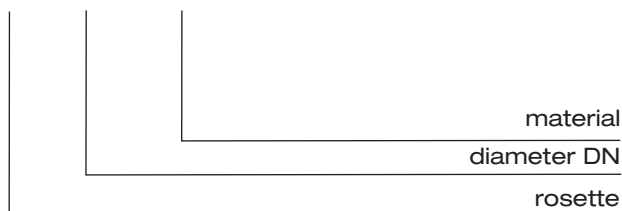
ROZ



| Diameter DN | Ø80 | Ø100 | Ø110 | Ø120 | Ø130 | Ø140 | Ø150 | Ø160 | Ø180 | Ø200 | Ø225 | Ø250 | Ø300 | Ø350 | Ø400 | Ø450 | Ø500 | for s=0.5 |
|-------------|------|------|------|------|------|------|------|------|------|------|------|------|------|------|------|------|------|-----------|
| Dwr [mm] | 86 | 106 | 117 | 126 | 136 | 146 | 156 | 166 | 186 | 206 | 231 | 256 | 306 | 356 | 406 | 456 | 506 | |
| Dzr [mm] | 160 | 177 | 188 | 207 | 217 | 227 | 247 | 257 | 277 | 297 | 322 | 347 | 398 | 448 | 498 | 548 | 598 | |
| Weight [kg] | 0.12 | 0.14 | 0.16 | 0.18 | 0.19 | 0.21 | 0.23 | 0.25 | 0.28 | 0.30 | 0.34 | 0.37 | 0.44 | 0.51 | 0.58 | 0.65 | 0.72 | |

DENOTATIONS / PRODUCT CODES

ROZ **x** - **H17**



MATERIALS

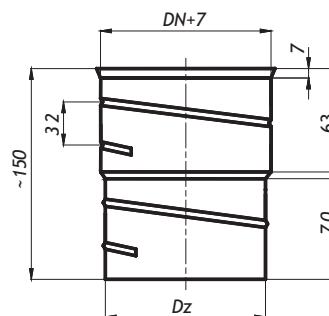
| | | | | |
|-------------------|-----|---|---|---------------------------------|
| Destination | W | - | - | W - ventilation ducts |
| | S | - | - | S - flue (oil and gas) ducts |
| | D | - | - | D - smoke ducts |
| Material | H17 | - | - | H17 - chrome steel 1.4016 |
| | - | - | - | X - stainless steel 1.4301 |
| | - | - | - | Z - heat resistant steel 1.4828 |
| Sheet thickness s | 5 | - | - | 5 - thickness 0,5 mm |
| | - | - | - | 6 - thickness 0,6 mm |
| | - | - | - | 8 - thickness 0,8 mm |
| | - | - | - | 1 - thickness 1,0 mm |

PICTURE

MEASUREMENTS

8. SINGLE WALLED FLEXIBLE PIPE CONNECTOR ZST

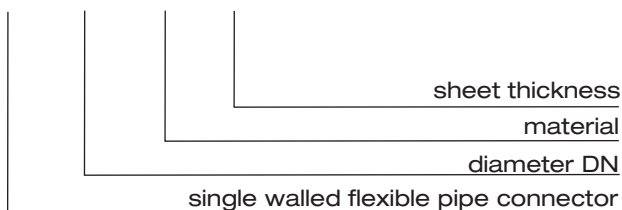
ZST



| Diameter DN | Ø80 | Ø100 | Ø110 | Ø120 | Ø130 | Ø140 | Ø150 | Ø160 | Ø180 | Ø200 | for s=0.6 |
|-------------|------|------|------|------|------|------|------|------|------|------|-----------|
| Dz | 78 | 98 | 108 | 118 | 128 | 138 | 148 | 158 | 178 | 198 | |
| Weight [kg] | 0.18 | 0.22 | 0.25 | 0.27 | 0.29 | 0.31 | 0.34 | 0.36 | 0.40 | 0.44 | |

DENOTATIONS / PRODUCT CODES

ZST **x** - **m** **s**



MATERIALS

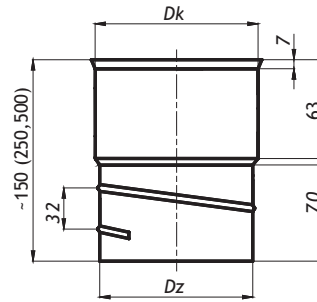
| | | | | |
|-------------------|----|---|---|---------------------------------|
| Destination | W | W | - | W - ventilation ducts |
| | S | - | - | S - flue (oil and gas) ducts |
| | - | - | - | D - smoke ducts |
| Material | CH | - | - | CH - stainless steel 1.4404 |
| | - | X | - | X - stainless steel 1.4301 |
| | - | - | - | Z - heat resistant steel 1.4828 |
| Sheet thickness s | 5 | 5 | - | 5 - thickness 0,5 mm |
| | 6 | 6 | - | 6 - thickness 0,6 mm |
| | - | - | - | 8 - thickness 0,8 mm |
| | - | - | - | 1 - thickness 1,0 mm |

PICTURE

MEASUREMENTS

9. SINGLE WALLED FLEXIBLE PIPE SPIGOT-TYPE CONNECTOR ZST-N

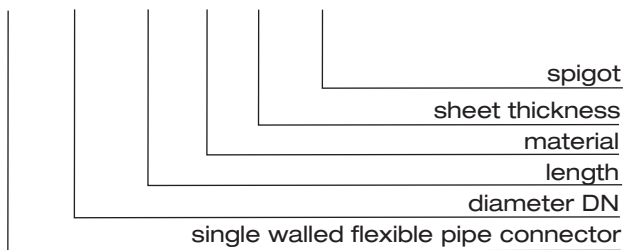
ZST-N



| Diameter DN | Ø80 | Ø100 | Ø110 | Ø120 | Ø130 | Ø140 | Ø150 | Ø160 | Ø180 | Ø200 | for s=0,6 |
|-------------|------|-------|-------|-------|-------|-------|-------|-------|-------|-------|-----------|
| Dz | 78 | 98 | 108 | 118 | 128 | 138 | 148 | 158 | 178 | 198 | |
| Dk | 81.2 | 101.9 | 113.1 | 124.2 | 133.8 | 141.7 | 152.9 | 162.4 | 183.1 | 202.2 | |
| Weight [kg] | 0.18 | 0.22 | 0.25 | 0.27 | 0.29 | 0.31 | 0.34 | 0.36 | 0.40 | 0.44 | |

DENOTATIONS / PRODUCT CODES

ZST x / L - m s - N



MATERIALS

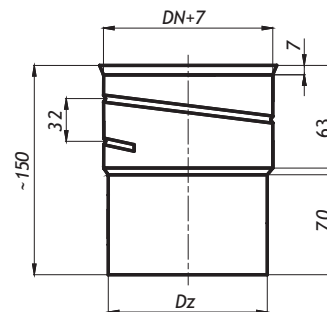
| | | | | |
|-------------------|----|---|---|---------------------------------|
| Destination | W | W | - | W - ventilation ducts |
| | S | - | - | S - flue (oil and gas) ducts |
| | - | - | - | D - smoke ducts |
| Material | CH | - | - | CH - stainless steel 1.4404 |
| | - | X | - | X - stainless steel 1.4301 |
| | - | - | Z | Z - heat resistant steel 1.4828 |
| Sheet thickness s | 5 | 5 | - | 5 - thickness 0,5 mm |
| | 6 | 6 | - | 6 - thickness 0,6 mm |
| | - | - | - | 8 - thickness 0,8 mm |
| | - | - | - | 1 - thickness 1,0 mm |

PICTURE

MEASUREMENTS

10. SINGLE WALLED FLEXIBLE PIPE BELL - TYPE CONNECTOR ZST-K

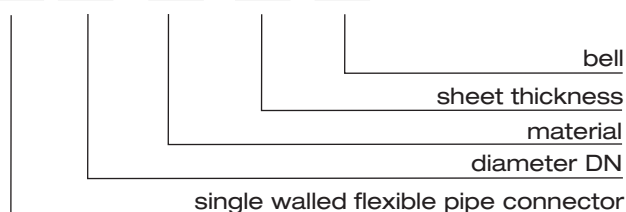
ZST-K



| Diameter DN | Ø80 | Ø100 | Ø110 | Ø120 | Ø130 | Ø140 | Ø150 | Ø160 | Ø180 | Ø200 | for s=0,6 |
|-------------|------|-------|-------|-------|-------|-------|-------|-------|-------|-------|-----------|
| Dz | 80.2 | 100.9 | 112.1 | 123.2 | 132.8 | 140.7 | 151.9 | 161.4 | 182.1 | 201.2 | |
| Weight [kg] | 0.18 | 0.22 | 0.25 | 0.27 | 0.29 | 0.31 | 0.34 | 0.36 | 0.40 | 0.44 | |

DENOTATIONS / PRODUCT CODES

ZST x - m s - K



MATERIALS

| | | | | |
|-------------------|----|---|---|---------------------------------|
| Destination | W | W | - | W - ventilation ducts |
| | S | - | - | S - flue (oil and gas) ducts |
| | - | - | - | D - smoke ducts |
| Material | CH | - | - | CH - stainless steel 1.4404 |
| | - | X | - | X - stainless steel 1.4301 |
| | - | - | Z | Z - heat resistant steel 1.4828 |
| Sheet thickness s | 5 | 5 | - | 5 - thickness 0,5 mm |
| | 6 | 6 | - | 6 - thickness 0,6 mm |
| | - | - | - | 8 - thickness 0,8 mm |
| | - | - | - | 1 - thickness 1,0 mm |

PICTURE

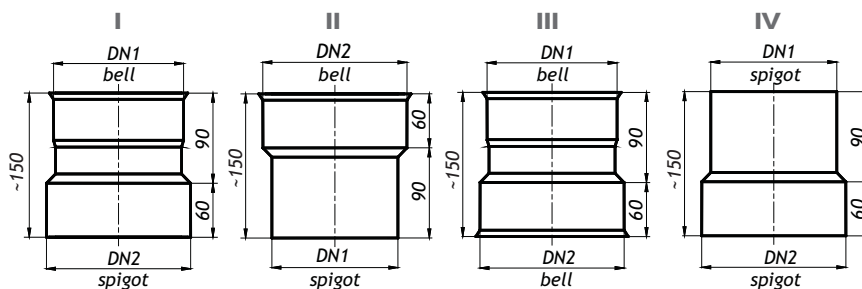
11. REDUCER (BELL-TYPE) RD-R



MEASUREMENTS

VERSION:

RD-R

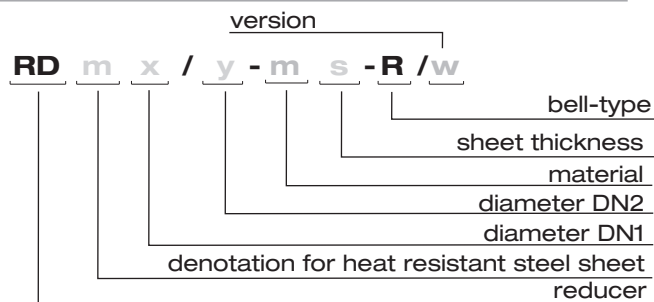


Diameter differences range: $DN2 - DN1 \leq 20$

| Diameter DN | Ø80 | Ø100 | Ø110 | Ø120 | Ø130 | Ø140 | Ø150 | Ø160 | Ø180 | Ø200 | Ø225 | Ø250 | Ø300 | Ø350 | Ø400 | Ø450 | Ø500 |
|-------------|------|-------|-------|-------|-------|-------|-------|-------|-------|-------|-------|-------|-------|-------|-------|-------|-------|
| Dz - spigot | 80.2 | 100.9 | 112.1 | 123.2 | 132.8 | 140.7 | 151.9 | 161.4 | 182.1 | 201.2 | 226.7 | 252.2 | 301.6 | 350.9 | 401.9 | 451.2 | 502.2 |
| Dk - bell | 81.2 | 101.9 | 113.1 | 124.2 | 133.8 | 141.7 | 152.9 | 162.4 | 183.1 | 202.2 | 227.7 | 253.2 | 302.6 | 351.9 | 402.9 | 452.2 | 503.2 |
| Weight [kg] | 0.18 | 0.23 | 0.25 | 0.28 | 0.30 | 0.32 | 0.34 | 0.36 | 0.41 | 0.45 | 0.51 | 0.57 | 0.68 | 0.79 | 0.90 | 1.00 | 1.13 |

for s=0.6

DENOTATIONS / PRODUCT CODES



MATERIALS

| | | | | |
|-------------------|----|---|---|---------------------------------|
| Destination | W | W | - | W - ventilation ducts |
| | S | - | - | S - flue (oil and gas) ducts |
| | - | - | D | D - smoke ducts |
| Material | CH | - | - | CH - stainless steel 1.4404 |
| | - | X | - | X - stainless steel 1.4301 |
| | - | - | Ž | Ž - heat resistant steel 1.4828 |
| Sheet thickness s | 5 | - | - | 5 - thickness 0,5 mm |
| | 6 | 6 | - | 6 - thickness 0,6 mm |
| | 8 | 8 | 8 | 8 - thickness 0,8 mm |
| | 1 | 1 | 1 | 1 - thickness 1,0 mm |

PICTURE

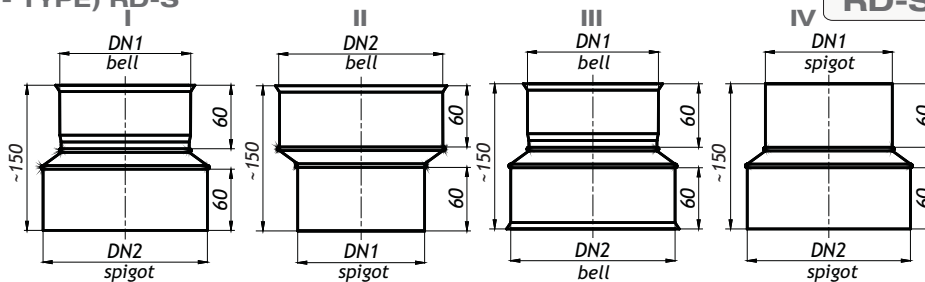
12. REDUCER (SEGMENT - TYPE) RD-S



MEASUREMENTS

VERSION:

RD-S

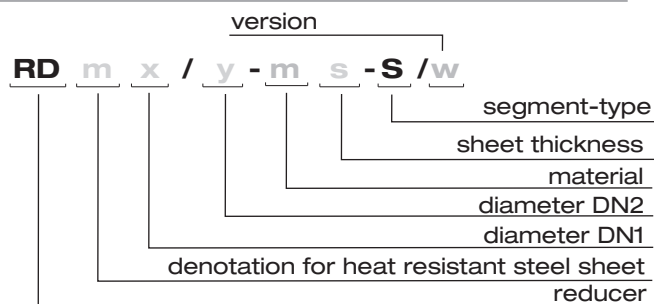


Diameter differences range: $DN2 - DN1 > 20$

| Diameter DN | Ø80 | Ø100 | Ø110 | Ø120 | Ø130 | Ø140 | Ø150 | Ø160 | Ø180 | Ø200 | Ø225 | Ø250 | Ø300 | Ø350 | Ø400 | Ø450 | Ø500 |
|-------------|-------------------------|-------|-------|-------|-------|-------|-------|-------|-------|-------|-------|-------|-------|-------|-------|-------|-------|
| Dz - spigot | 80.2 | 100.9 | 112.1 | 123.2 | 132.8 | 140.7 | 151.9 | 161.4 | 182.1 | 201.2 | 226.7 | 252.2 | 301.6 | 350.9 | 401.9 | 451.2 | 502.2 |
| Dk - bell | 81.2 | 101.9 | 113.1 | 124.2 | 133.8 | 141.7 | 152.9 | 162.4 | 183.1 | 202.2 | 227.7 | 253.2 | 302.6 | 351.9 | 402.9 | 452.2 | 503.2 |
| Weight [kg] | depends on measurements | | | | | | | | | | | | | | | | |

for s=0.6

DENOTATIONS / PRODUCT CODES



MATERIALS

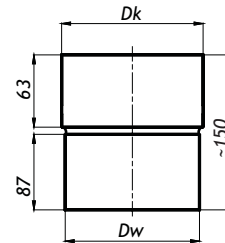
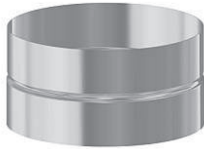
| | | | | |
|-------------------|----|---|---|---------------------------------|
| Destination | W | W | - | W - ventilation ducts |
| | S | - | - | S - flue (oil and gas) ducts |
| | - | - | D | D - smoke ducts |
| Material | CH | - | - | CH - stainless steel 1.4404 |
| | - | X | - | X - stainless steel 1.4301 |
| | - | - | Ž | Ž - heat resistant steel 1.4828 |
| Sheet thickness s | 5 | - | - | 5 - thickness 0,5 mm |
| | 6 | 6 | - | 6 - thickness 0,6 mm |
| | 8 | 8 | 8 | 8 - thickness 0,8 mm |
| | 1 | 1 | 1 | 1 - thickness 1,0 mm |

PICTURE

MEASUREMENTS

13. ADAPTER FOR DUOFLEX FLEXIBLE PIPE AD

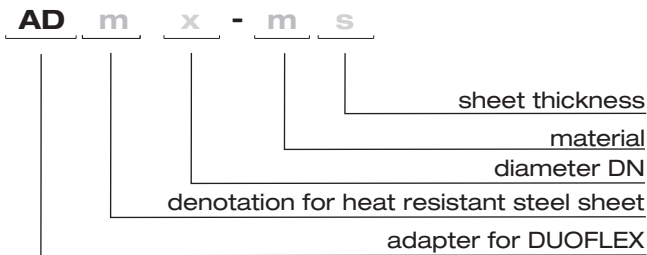
AD



| Diameter DN | Ø130 | Ø150 | Ø180 | Ø200 | Ø225 | for s=1.0 |
|-------------|-------|-------|-------|-------|-------|-----------|
| Dw | 133.9 | 153.0 | 183.4 | 202.3 | 227.8 | |
| Dk | 138 | 158 | 188 | 208 | 233 | |
| Weight [kg] | 0.50 | 0.60 | 0.70 | 0.75 | 0.85 | |

DENOTATIONS / PRODUCT CODES

MATERIALS



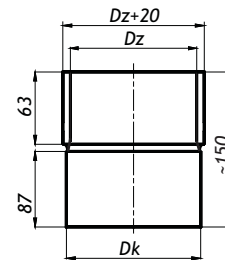
| Destination | W | - | - | W - ventilation ducts |
|-------------------|----|---|---|---------------------------------|
| | S | - | - | S - flue (oil and gas) ducts |
| | - | - | D | D - smoke ducts |
| Material | CH | - | - | CH - stainless steel 1.4404 |
| | - | - | - | X - stainless steel 1.4301 |
| | - | - | Ż | Ż - heat resistant steel 1.4828 |
| Sheet thickness s | - | - | - | 5 - thickness 0,5 mm |
| | - | - | - | 6 - thickness 0,6 mm |
| | 8 | - | 8 | 8 - thickness 0,8 mm |
| | 1 | - | 1 | 1 - thickness 1,0 mm |

PICTURE

MEASUREMENTS

14. REDUCING ADAPTER ADŻR-Ż1

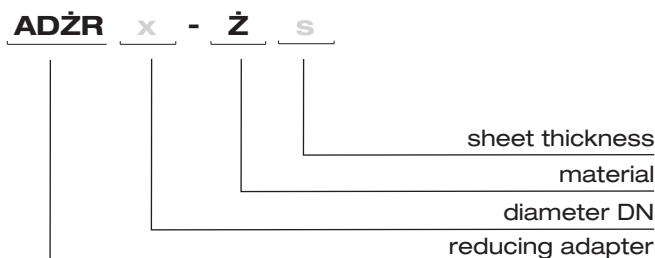
ADŻR-Ż1



| Diameter DN | Ø130 | Ø150 | Ø180 | Ø200 | for s=1.0 |
|-------------|-------|-------|-------|-------|-----------|
| Dk | 133.9 | 153.0 | 183.4 | 202.3 | |
| Dz | 128 | 148 | 178 | 198 | |
| Weight [kg] | 0.50 | 0.60 | 0.70 | 0.75 | |

DENOTATIONS / PRODUCT CODES

MATERIALS



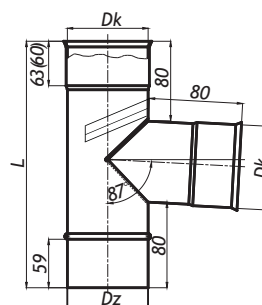
| Destination | W | - | - | W - ventilation ducts |
|-------------------|----|---|---|---------------------------------|
| | S | - | - | S |
| | - | - | D | D - smoke ducts |
| Material | CH | - | - | CH - stainless steel 1.4404 |
| | - | - | - | X - stainless steel 1.4301 |
| | - | - | Ż | Ż - heat resistant steel 1.4828 |
| Sheet thickness s | - | - | - | 5 - thickness 0,5 mm |
| | - | - | - | 6 - thickness 0,6 mm |
| | 8 | - | 8 | 8 - thickness 0,8 mm |
| | 1 | - | 1 | 1 - thickness 1,0 mm |

PICTURE

15. TEE 90° TR/90



MEASUREMENTS

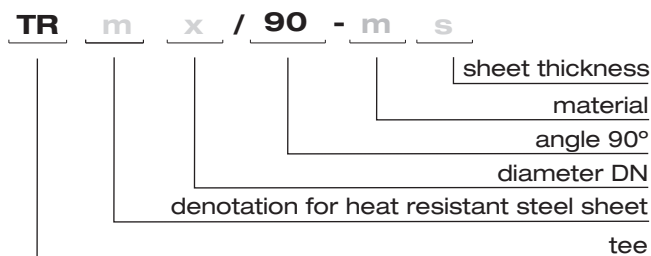


TR/90

| Diameter DN | Ø80 | Ø100 | Ø110 | Ø120 | Ø130 | Ø140 | Ø150 | Ø160 | Ø180 | Ø200 | Ø225 | Ø250 | Ø300 | Ø350 | Ø400 | Ø450 | Ø500 |
|-------------|------|-------|-------|-------|-------|-------|-------|-------|-------|-------|-------|-------|-------|-------|-------|-------|-------|
| Dz | 80.2 | 100.9 | 112.1 | 123.2 | 132.8 | 140.7 | 151.9 | 161.4 | 182.1 | 201.2 | 226.7 | 252.2 | 301.6 | 350.9 | 401.9 | 451.2 | 502.2 |
| Dk | 81.2 | 101.9 | 113.1 | 124.2 | 133.8 | 141.7 | 152.9 | 162.4 | 183.1 | 202.2 | 227.7 | 253.2 | 302.6 | 351.9 | 402.9 | 452.2 | 503.2 |
| L [mm] | 230 | 250 | 270 | 270 | 280 | 300 | 300 | 310 | 330 | 350 | 380 | 400 | 450 | 500 | 550 | 600 | 650 |
| Weight [kg] | 0.40 | 0.50 | 0.60 | 0.65 | 0.70 | 0.80 | 0.85 | 0.95 | 1.10 | 1.30 | 1.55 | 1.80 | 2.40 | 3.05 | 3.80 | 4.60 | 5.50 |

for s=0.6

DENOTATIONS / PRODUCT CODES



MATERIALS

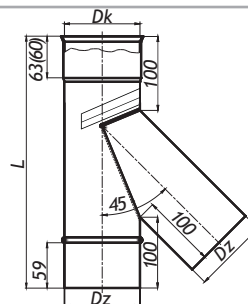
| | | | | |
|-------------------|----|---|---|---------------------------------|
| Destination | W | W | - | W - ventilation ducts |
| | S | - | - | S - flue (oil and gas) ducts |
| | - | - | D | D - smoke ducts |
| Material | CH | - | - | CH - stainless steel 1.4404 |
| | - | X | - | X - stainless steel 1.4301 |
| | - | - | Ż | Ż - heat resistant steel 1.4828 |
| Sheet thickness s | 5 | - | - | 5 - thickness 0,5 mm |
| | 6 | 6 | - | 6 - thickness 0,6 mm |
| | 8 | 8 | 8 | 8 - thickness 0,8 mm |
| | 1 | 1 | 1 | 1 - thickness 1,0 mm |

PICTURE

16. TEE 45° TR/45



MEASUREMENTS

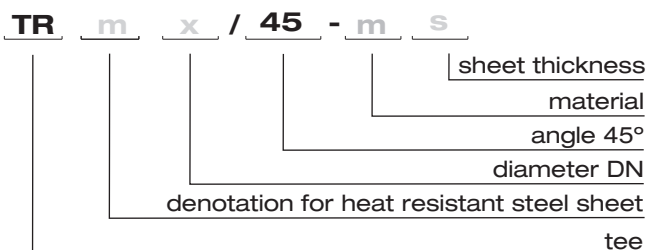


TR/45

| Diameter DN | Ø80 | Ø100 | Ø110 | Ø120 | Ø130 | Ø140 | Ø150 | Ø160 | Ø180 | Ø200 | Ø225 | Ø250 | Ø300 | Ø350 | Ø400 | Ø450 | Ø500 |
|-------------|------|-------|-------|-------|-------|-------|-------|-------|-------|-------|-------|-------|-------|-------|-------|-------|-------|
| Dz | 80.2 | 100.9 | 112.1 | 123.2 | 132.8 | 140.7 | 151.9 | 161.4 | 182.1 | 201.2 | 226.7 | 252.2 | 301.6 | 350.9 | 401.9 | 451.2 | 502.2 |
| Dk | 81.2 | 101.9 | 113.1 | 124.2 | 133.8 | 141.7 | 152.9 | 162.4 | 183.1 | 202.2 | 227.7 | 253.2 | 302.6 | 351.9 | 402.9 | 452.2 | 503.2 |
| L [mm] | 315 | 340 | 355 | 375 | 385 | 390 | 415 | 425 | 455 | 480 | 520 | 550 | 625 | 695 | 765 | 835 | 910 |
| Weight [kg] | 0.50 | 0.65 | 0.75 | 0.90 | 0.95 | 1.00 | 1.20 | 1.30 | 1.50 | 1.75 | 2.10 | 2.45 | 3.30 | 4.20 | 5.25 | 6.35 | 7.65 |

for s=0.6

DENOTATIONS / PRODUCT CODES



MATERIALS

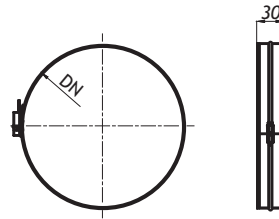
| | | | | |
|-------------------|----|---|---|---------------------------------|
| Destination | W | W | - | W - ventilation ducts |
| | S | - | - | S - flue (oil and gas) ducts |
| | - | - | D | D - smoke ducts |
| Material | CH | - | - | CH - stainless steel 1.4404 |
| | - | X | - | X - stainless steel 1.4301 |
| | - | - | Ż | Ż - heat resistant steel 1.4828 |
| Sheet thickness s | 5 | - | - | 5 - thickness 0,5 mm |
| | 6 | 6 | - | 6 - thickness 0,6 mm |
| | 8 | 8 | 8 | 8 - thickness 0,8 mm |
| | 1 | 1 | 1 | 1 - thickness 1,0 mm |

PICTURE

MEASUREMENTS

17. DUOFLEX CONNECTING CLAMP DUO-OP-Ż

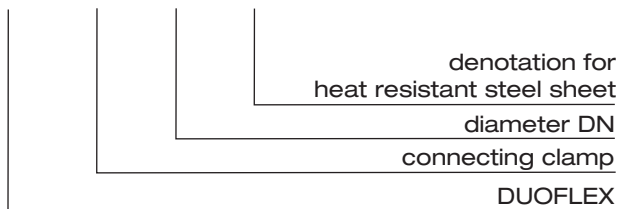
DUO-OP-Ż



| Diameter DN | Ø130 | Ø150 | Ø180 | Ø200 | Ø225 | for s=0.8 |
|-------------|------|------|------|------|------|-----------|
| Weight [kg] | 0.14 | 0.15 | 0.17 | 0.18 | 0.19 | |

DENOTATIONS / PRODUCT CODES

DUO - OP - x - Ż



MATERIALS

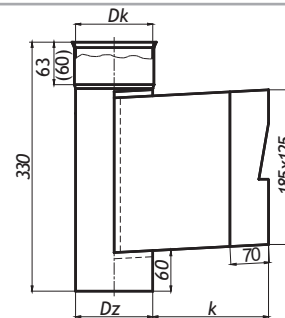
| | | | | |
|-------------------|---|---|---|---------------------------------|
| Destination | - | - | W | W - ventilation ducts |
| | - | - | S | S - flue (oil and gas) ducts |
| | - | - | D | D - smoke ducts |
| Material | - | - | - | CH - stainless steel 1.4404 |
| | - | - | X | X - stainless steel 1.4301 |
| | - | - | Ż | Ż - heat resistant steel 1.4828 |
| Sheet thickness s | - | - | - | 5 - thickness 0,5 mm |
| | - | - | - | 6 - thickness 0,6 mm |
| | - | - | 8 | 8 - thickness 0,8 mm |
| | - | - | - | 1 - thickness 1,0 mm |

PICTURE

MEASUREMENTS

18. CLEAN OUT ELEMENT WC

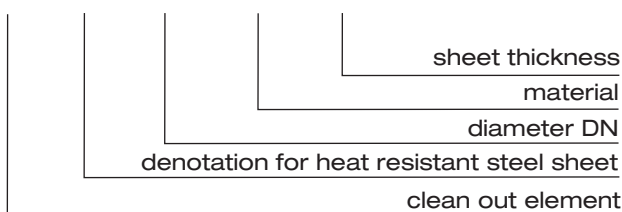
WC



| Diameter DN | Ø80 | Ø100 | Ø110 | Ø120 | Ø130 | Ø140 | Ø150 | Ø160 | Ø180 | Ø200 | Ø225 | Ø250 | Ø300 | Ø350 | Ø400 | Ø450 | Ø500 | for s=0.6 |
|-------------|------|-------|-------|-------|-------|-------|-------|-------|-------|-------|-------|-------|-------|-------|-------|-------|-------|-----------|
| Dz | 80.2 | 100.9 | 112.1 | 123.2 | 132.8 | 140.7 | 151.9 | 161.4 | 182.1 | 201.2 | 226.7 | 252.2 | 301.6 | 350.9 | 401.9 | 451.2 | 502.2 | |
| Dk | 81.2 | 101.9 | 113.1 | 124.2 | 133.8 | 141.7 | 152.9 | 162.4 | 183.1 | 202.2 | 227.7 | 253.2 | 302.6 | 351.9 | 402.9 | 452.2 | 503.2 | |
| k | 170 | 160 | 155 | 150 | 145 | 140 | 135 | 155 | 145 | 135 | 157 | 145 | 145 | 145 | 145 | 145 | 145 | |
| Weight [kg] | 0.90 | 1.00 | 1.05 | 1.10 | 1.10 | 1.10 | 1.15 | 1.30 | 1.35 | 1.40 | 1.60 | 1.70 | 1.95 | 2.20 | 2.45 | 2.70 | 2.95 | |

DENOTATIONS / PRODUCT CODES

WC m x - m s



MATERIALS

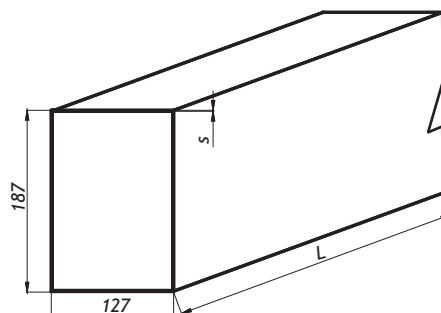
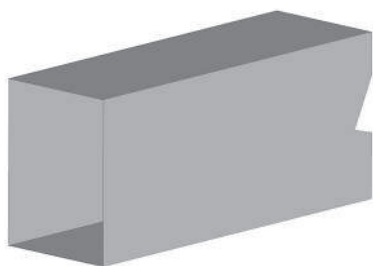
| | | | | |
|-------------------|----|---|---|---------------------------------|
| Destination | W | W | - | W - ventilation ducts |
| | S | - | - | S - flue (oil and gas) ducts |
| | - | - | D | D - smoke ducts |
| Material | CH | - | - | CH - stainless steel 1.4404 |
| | - | X | - | X - stainless steel 1.4301 |
| | - | - | Ż | Ż - heat resistant steel 1.4828 |
| Sheet thickness s | 5 | - | - | 5 - thickness 0,5 mm |
| | 6 | 6 | - | 6 - thickness 0,6 mm |
| | 8 | 8 | 8 | 8 - thickness 0,8 mm |
| | 1 | 1 | 1 | 1 - thickness 1,0 mm |

PICTURE

MEASUREMENTS

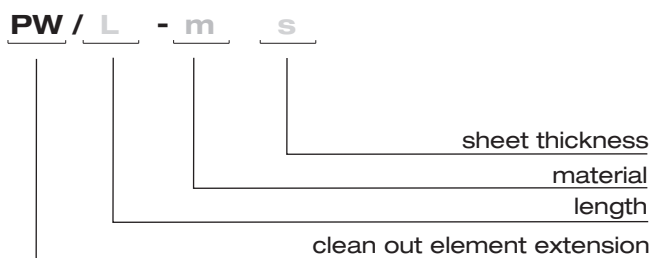
19. CLEAN OUT ELEMENT EXTENSION PW

PW



| | | | | | |
|----------------------|------|------|------|------|-----------|
| Length L [mm] | 200 | 300 | 500 | 1000 | for s=0.6 |
| Weight [kg] | 0.60 | 0.90 | 1.50 | 2.95 | |

DENOTATIONS / PRODUCT CODES



MATERIALS

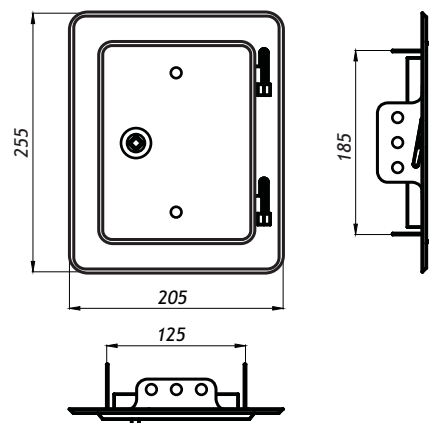
| | | | | |
|--------------------------|----|---|---|---------------------------------|
| Destination | W | W | - | W - ventilation ducts |
| | S | - | - | S - flue (oil and gas) ducts |
| | - | - | D | D - smoke ducts |
| Material | CH | - | - | CH - stainless steel 1.4404 |
| | - | X | - | X - stainless steel 1.4301 |
| | - | - | Ž | Ž - heat resistant steel 1.4828 |
| Sheet thickness s | 5 | - | - | 5 - thickness 0,5 mm |
| | 6 | 6 | - | 6 - thickness 0,6 mm |
| | 8 | 8 | 8 | 8 - thickness 0,8 mm |
| | 1 | 1 | 1 | 1 - thickness 1,0 mm |

PICTURE

MEASUREMENTS

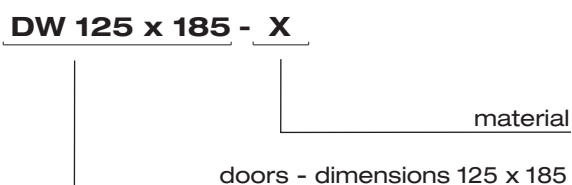
20. DOORS DW

DW



Weight [kg] 0.6

DENOTATIONS / PRODUCT CODES



MATERIALS

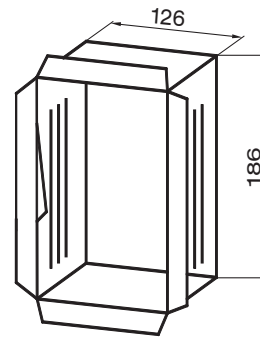
| | | | | |
|--------------------------|---|---|---|---------------------------------|
| Destination | - | W | - | W - ventilation ducts |
| | - | S | - | S - flue (oil and gas) ducts |
| | - | - | D | D - smoke ducts |
| Material | - | - | - | CH - stainless steel 1.4404 |
| | - | X | - | X - stainless steel 1.4301 |
| | - | - | - | Ž - heat resistant steel 1.4828 |
| Sheet thickness s | - | - | - | 5 - thickness 0,5 mm |
| | - | - | - | 6 - thickness 0,6 mm |
| | - | 8 | - | 8 - thickness 0,8 mm |
| | - | - | - | 1 - thickness 1,0 mm |

PICTURE

MEASUREMENTS

21. DRAUGHT REGULATOR DOOR FRAME RCW RM-DW

RM-DW

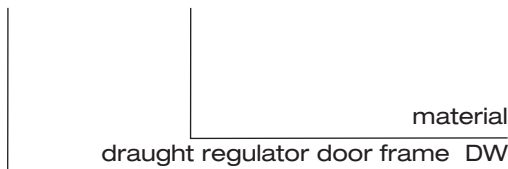


Weight [kg]

0.50

DENOTATIONS / PRODUCT CODES

RM-DW 125x185 X



MATERIALS

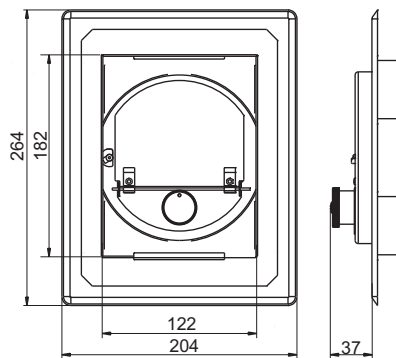
| | | | | |
|-------------------|----|---|---|---------------------------------|
| Destination | W | W | - | W - ventilation ducts |
| | S | - | - | S - flue (oil and gas) ducts |
| | - | - | D | D - smoke ducts |
| Material | CH | - | - | CH - stainless steel 1.4404 |
| | - | X | - | X - stainless steel 1.4301 |
| | - | - | Z | Z - heat resistant steel 1.4828 |
| Sheet thickness s | - | - | - | 5 - thickness 0,5 mm |
| | - | - | - | 6 - thickness 0,6 mm |
| | 8 | 8 | 8 | 8 - thickness 0,8 mm |
| | - | - | - | 1 - thickness 1,0 mm |

PICTURE

MEASUREMENTS

22. DRAUGHT REGULATOR TO DARCO CLEAN OUT ELEMENT RCW

RCW



| Lp | Name | Value | |
|----|---|---------------------------------------|--|
| 1 | Group | 5 | |
| 2 | Norm | DIN 4795 | |
| 3 | Underpressure range [Pa] | 10 ÷ 35 | |
| 4 | Max. fumes temp [°C] | 400 | |
| 5 | Chimney parameters (chimney height not bigger than 20m) | Max. chimney duct cross-section [cm²] | Max. diameter of a round chimney duct [cm] |
| | I and II insulation class | 500 | 25 |
| | III insulation class | 750 | 31 |

Weight [kg]

0.80

DENOTATIONS / PRODUCT CODES

RCW

draught regulator to DARCO clean out element

MATERIALS

| | | | | |
|-------------|---|---|---|---------------------------------|
| Destination | - | W | - | W - ventilation ducts |
| | - | S | - | S - flue (oil and gas) ducts |
| | - | D | - | D - smoke ducts |
| Material | - | - | - | CH - stainless steel 1.4404 |
| | - | X | - | X - stainless steel 1.4301 |
| | - | - | - | Z - heat resistant steel 1.4828 |

NOTICE!

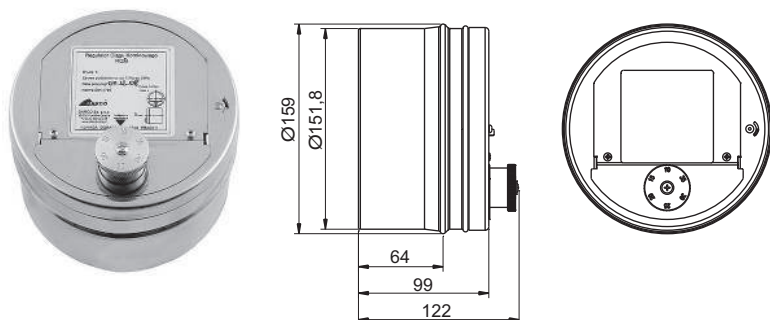
Mounting of the RCW regulator requires usage of the RM-DW door frame.

PICTURE

MEASUREMENTS

23. ROUND DRAUGHT REGULATOR RCO

RCO



| Lp | Name | Value | |
|----|---|--|--|
| 1 | Group | 5 | |
| 2 | Norm | DIN 4795 | |
| 3 | Underpressure range [Pa] | 10 ÷ 35 | |
| 4 | Max. fumes temp [°C] | 400 | |
| 5 | Chimney parameters (chimney height not bigger than 20m) | Max. chimney duct cross-section [cm ²] | Max. diameter of a round chimney duct [cm] |
| | I and II insulation class | 500 | 25 |
| | III insulation class | 750 | 31 |

Weight [kg]

0.70

DENOTATIONS / PRODUCT CODES

RCO

round draught regulator

MATERIALS

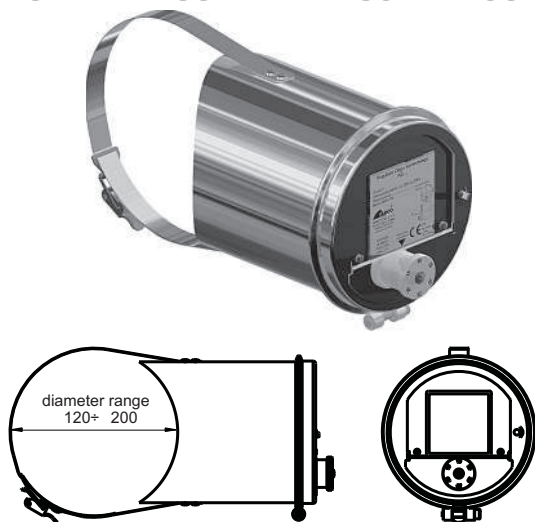
| | | |
|--------------------|-----|-----------------------------------|
| Destination | - W | - W - ventilation ducts |
| | - S | - S - flue (oil and gas) ducts |
| | - D | - D - smoke ducts |
| Material | - - | - CH - stainless steel 1.4404 |
| | - X | - X - stainless steel 1.4301 |
| | - - | - Z - heat resistant steel 1.4828 |

PICTURE

MEASUREMENTS

24. ON PIPE MOUNTED DRAUGHT REGULATOR RCR

RCR



| Lp | Name | Value | |
|----|---|--|--|
| 1 | Group | 5 | |
| 2 | Norm | DIN 4795 | |
| 3 | Underpressure range [Pa] | 10 ÷ 35 | |
| 4 | Max. fumes temp [°C] | 400 | |
| 5 | Chimney parameters (chimney height not bigger than 20m) | Max. chimney duct cross-section [cm ²] | Max. diameter of a round chimney duct [cm] |
| | I and II insulation class | 500 | 25 |
| | III insulation class | 750 | 31 |

Weight [kg]

0.80

DENOTATIONS / PRODUCT CODES

RCR

on pipe mounted draught regulator

MATERIALS

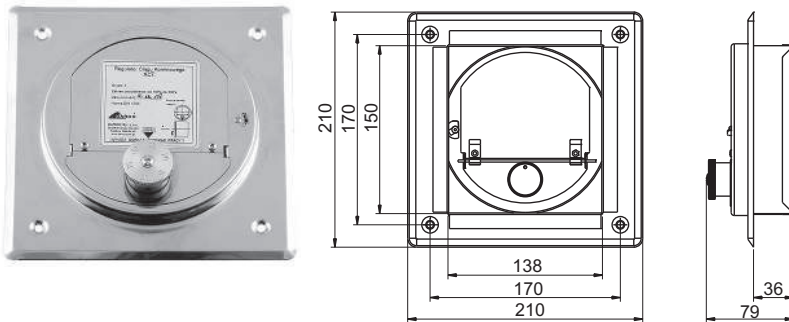
| | | |
|--------------------|-----|-----------------------------------|
| Destination | - W | - W - ventilation ducts |
| | - S | - S - flue (oil and gas) ducts |
| | - D | - D - smoke ducts |
| Material | - - | - CH - stainless steel 1.4404 |
| | - X | - X - stainless steel 1.4301 |
| | - - | - Z - heat resistant steel 1.4828 |

PICTURE

MEASUREMENTS

25. RECTANGULAR DRAUGHT REGULATOR RCP

RCP



| Lp | Name | Value | |
|----|---|--|--|
| 1 | Group | 5 | |
| 2 | Norm | DIN 4795 | |
| 3 | Underpressure range [Pa] | 10 ÷ 35 | |
| 4 | Max. fumes temp [°C] | 400 | |
| 5 | Chimney parameters (chimney height not bigger than 20m) | Max. chimney duct cross-section [cm ²] | Max. diameter of a round chimney duct [cm] |
| | I and II insulation class | 500 | 25 |
| | III insulation class | 750 | 31 |

Weight [kg]

0.80

DENOTATIONS / PRODUCT CODES

RCP

rectangular draught regulator

MATERIALS

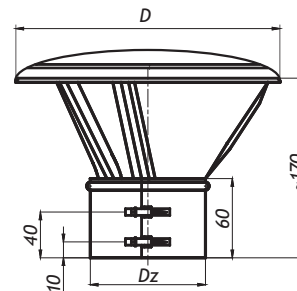
| | | | | |
|--------------------|---|---|---|---------------------------------|
| Destination | - | W | - | W - ventilation ducts |
| | - | S | - | S - flue (oil and gas) ducts |
| | - | D | - | D - smoke ducts |
| Material | - | - | - | CH - stainless steel 1.4404 |
| | - | X | - | X - stainless steel 1.4301 |
| | - | - | - | Ž - heat resistant steel 1.4828 |

PICTURE

MEASUREMENTS

26. CHIMNEY CAP DK

DK



| Diameter DN | Ø80 | Ø100 | Ø110 | Ø120 | Ø130 | Ø140 | Ø150 | Ø160 | Ø180 | Ø200 | for s=0.6 |
|-------------|------|-------|-------|-------|-------|-------|-------|-------|-------|-------|-----------|
| Dz | 80.2 | 100.9 | 112.1 | 123.2 | 132.8 | 140.7 | 151.9 | 161.4 | 182.1 | 201.2 | |
| D | 220 | 220 | 220 | 220 | 290 | 290 | 290 | 290 | 290 | 350 | |
| Weight [kg] | 0.30 | 0.33 | 0.34 | 0.35 | 0.36 | 0.37 | 0.51 | 0.52 | 0.54 | 0.56 | |

DENOTATIONS / PRODUCT CODES

MATERIALS

DK m x - m s

sheet thickness
material
diameter DN
denotation for heat resistant steel sheet
chimney cap

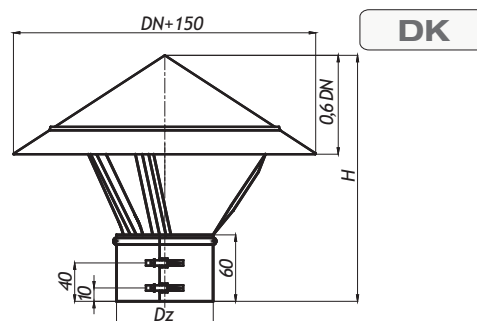
| | | | | |
|--------------------------|----|---|---|---------------------------------|
| Destination | W | - | - | W - ventilation ducts |
| | S | - | - | S - flue (oil and gas) ducts |
| | - | - | - | D - smoke ducts |
| Material | CH | - | - | CH - stainless steel 1.4404 |
| | - | - | - | X - stainless steel 1.4301 |
| | - | - | - | Ž - heat resistant steel 1.4828 |
| Sheet thickness s | 5 | - | - | 5 - thickness 0,5 mm |
| | 6 | - | - | 6 - thickness 0,6 mm |
| | - | - | - | 8 - thickness 0,8 mm |
| | - | - | - | 1 - thickness 1,0 mm |

PICTURE

27. CHIMNEY CAP DK

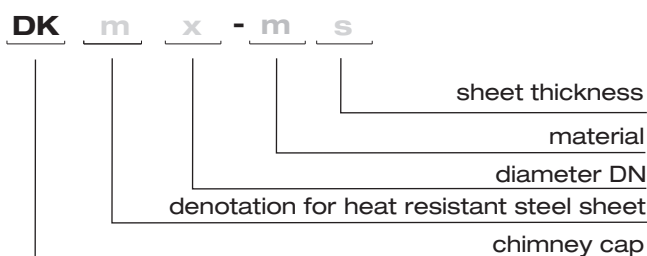


MEASUREMENTS



| Diameter DN | Ø225 | Ø250 | Ø300 | Ø350 | Ø400 | Ø450 | Ø500 | for s=0.6 |
|-------------|-------|-------|-------|-------|-------|-------|-------|-----------|
| Dz | 226.7 | 252.2 | 301.6 | 350.9 | 401.9 | 451.2 | 502.2 | |
| H | 260 | 260 | 260 | 360 | 360 | 460 | 460 | |
| Weight [kg] | 1.05 | 1.25 | 1.60 | 2.00 | 2.45 | 2.95 | 3.45 | |

DENOTATIONS / PRODUCT CODES



MATERIALS

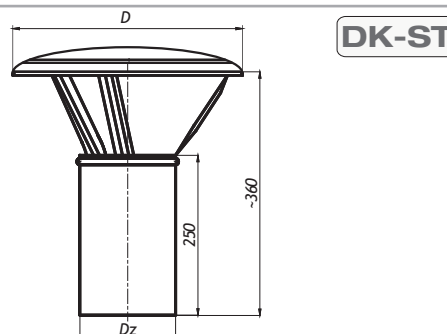
| | | | | |
|-------------------|----|---|---|---------------------------------|
| Destination | W | W | - | W - ventilation ducts |
| | S | - | - | S - flue (oil and gas) ducts |
| | - | - | D | D - smoke ducts |
| Material | CH | - | - | CH - stainless steel 1.4404 |
| | - | X | - | X - stainless steel 1.4301 |
| | - | - | Ż | Ż - heat resistant steel 1.4828 |
| Sheet thickness s | - | - | - | 5 - thickness 0,5 mm |
| | - | 6 | - | 6 - thickness 0,6 mm |
| | 8 | 8 | 8 | 8 - thickness 0,8 mm |
| | 1 | 1 | 1 | 1 - thickness 1,0 mm |

PICTURE

28. SINGLE WALLED FLEXIBLE PIPE CAP DK-ST

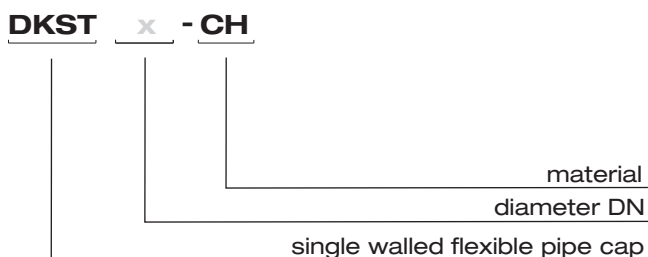


MEASUREMENTS



| Diameter DN | Ø80 | Ø100 | Ø110 | Ø120 | Ø130 | Ø140 | Ø150 | Ø160 | Ø180 | Ø200 | for s=0.6 |
|-------------|------|-------|-------|-------|-------|-------|-------|-------|-------|-------|-----------|
| Dz | 80.2 | 100.9 | 112.1 | 123.2 | 132.8 | 140.7 | 151.9 | 161.4 | 182.1 | 201.2 | |
| D | 220 | 220 | 220 | 220 | 290 | 290 | 290 | 290 | 290 | 350 | |
| Weight [kg] | 0.50 | 0.60 | 0.65 | 0.70 | 0.75 | 0.80 | 0.95 | 1.00 | 1.05 | 1.10 | |

DENOTATIONS / PRODUCT CODES



MATERIALS

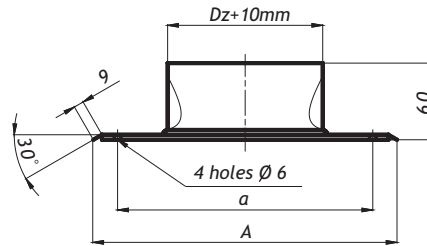
| | | | | |
|-------------------|----|---|---|---------------------------------|
| Destination | W | - | - | W - ventilation ducts |
| | S | - | - | S - flue (oil and gas) ducts |
| | - | - | - | D - smoke ducts |
| Material | CH | - | - | CH - stainless steel 1.4404 |
| | - | - | - | X - stainless steel 1.4301 |
| | - | - | - | Ż - heat resistant steel 1.4828 |
| Sheet thickness s | 5 | - | - | 5 - thickness 0,5 mm |
| | 6 | - | - | 6 - thickness 0,6 mm |
| | - | - | - | 8 - thickness 0,8 mm |
| | - | - | - | 1 - thickness 1,0 mm |

PICTURE

MEASUREMENTS

29. ROOF PLATE PD

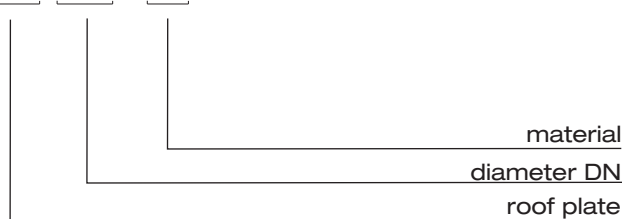
PD



| Diameter DN | Ø80 | Ø100 | Ø110 | Ø120 | Ø130 | Ø140 | Ø150 | Ø160 | Ø180 | Ø200 | Ø225 | Ø250 | Ø300 | Ø350 | Ø400 | Ø450 | Ø500 | for s=0.6 |
|-------------|------|-------|-------|-------|-------|-------|-------|-------|-------|-------|-------|-------|-------|-------|-------|-------|-------|-----------|
| Dz [mm] | 80.2 | 100.9 | 112.1 | 123.2 | 132.8 | 140.7 | 151.9 | 161.4 | 182.1 | 201.2 | 226.7 | 252.2 | 301.6 | 350.9 | 401.9 | 451.2 | 502.2 | |
| A [mm] | 250 | 250 | 250 | 250 | 250 | 250 | 300 | 300 | 300 | 330 | 350 | 400 | 450 | 500 | 550 | 600 | 650 | |
| a [mm] | 210 | 210 | 210 | 210 | 210 | 210 | 260 | 260 | 260 | 290 | 310 | 360 | 410 | 460 | 510 | 560 | 610 | |
| Weight [kg] | 0.35 | 0.40 | 0.40 | 0.40 | 0.40 | 0.40 | 0.50 | 0.50 | 0.50 | 0.60 | 0.65 | 0.80 | 0.95 | 1.10 | 1.25 | 1.40 | 1.55 | |

DENOTATIONS / PRODUCT CODES

PD x - X



MATERIALS

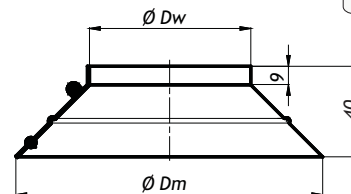
| | | |
|-------------------|-----|-----------------------------------|
| Destination | - W | - W - ventilation ducts |
| | - S | - S - flue (oil and gas) ducts |
| | - D | - D - smoke ducts |
| Material | - - | - CH - stainless steel 1.4404 |
| | - X | - X - stainless steel 1.4301 |
| | - - | - Z - heat resistant steel 1.4828 |
| Sheet thickness s | - - | - 5 - thickness 0,5 mm |
| | - 6 | - 6 - thickness 0,6 mm |
| | - - | - 8 - thickness 0,8 mm |
| | - - | - 1 - thickness 1,0 mm |

PICTURE

MEASUREMENTS

30. RAIN COLLAR KPD

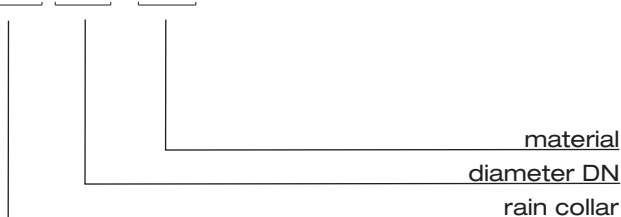
KPD



| Diameter DN | Ø80 | Ø100 | Ø110 | Ø120 | Ø130 | Ø140 | Ø150 | Ø160 | Ø180 | Ø200 | Ø225 | Ø250 | Ø300 | Ø350 | Ø400 | Ø450 | Ø500 | for s=0.6 |
|-------------|------|------|-------|-------|-------|-------|-------|-------|-------|-------|-------|-------|-------|-------|-------|-------|-------|-----------|
| Dw [mm] | 79.0 | 99.7 | 110.9 | 122.0 | 131.6 | 139.5 | 150.7 | 160.2 | 180.9 | 200.0 | 225.5 | 251.0 | 300.4 | 349.7 | 400.7 | 450.0 | 501.0 | |
| Dm [mm] | 151 | 172 | 183 | 194 | 204 | 212 | 223 | 232 | 253 | 272 | 326 | 350 | 400 | 450 | 501 | 550 | 601 | |
| Weight [kg] | 0.14 | 0.16 | 0.17 | 0.18 | 0.18 | 0.19 | 0.20 | 0.21 | 0.23 | 0.25 | 0.29 | 0.31 | 0.36 | 0.41 | 0.45 | 0.50 | 0.54 | |

DENOTATIONS / PRODUCT CODES

KPD x - X



MATERIALS

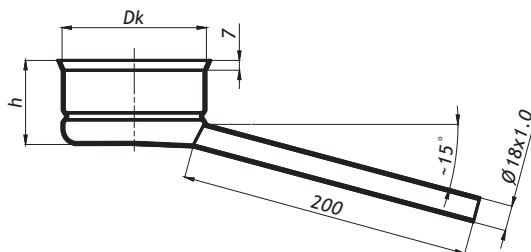
| | | |
|-------------------|-----|-----------------------------------|
| Destination | - W | - W - ventilation ducts |
| | - S | - S - flue (oil and gas) ducts |
| | - D | - D - smoke ducts |
| Material | - - | - CH - stainless steel 1.4404 |
| | - X | - X - stainless steel 1.4301 |
| | - - | - Z - heat resistant steel 1.4828 |
| Sheet thickness s | - - | - 5 - thickness 0,5 mm |
| | - 6 | - 6 - thickness 0,6 mm |
| | - - | - 8 - thickness 0,8 mm |
| | - - | - 1 - thickness 1,0 mm |

PICTURE

MEASUREMENTS

31. CONDENSATE DRAIN BOWL MS

MS



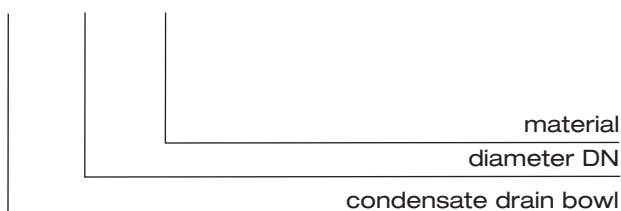
| Diameter DN | Ø80 | Ø100 | Ø110 | Ø120 | Ø130 | Ø140 | Ø150 | Ø160 | Ø180 | Ø200 | Ø225 | Ø250 | Ø300 | Ø350 | Ø400 | Ø450 | Ø500 |
|-------------|------|------|------|------|------|------|------|------|------|------|------|------|------|------|------|------|------|
| Dk [mm] | 81 | 102 | 113 | 123 | 134 | 142 | 150 | 166 | 181 | 200 | 228 | 253 | 303 | 355 | 404 | 453 | 504 |
| h [mm] | 60 | 60 | 60 | 57 | 55 | 60 | 52 | 45 | 41 | 43 | 60 | 60 | 60 | 60 | 60 | 60 | 60 |
| Weight [kg] | 0.20 | 0.25 | 0.25 | 0.30 | 0.30 | 0.30 | 0.35 | 0.40 | 0.50 | 0.60 | 0.60 | 0.70 | 0.85 | 1.05 | 1.35 | 1.60 | 1.85 |

for s=0.6

DENOTATIONS / PRODUCT CODES

MATERIALS

MS x **- CH**



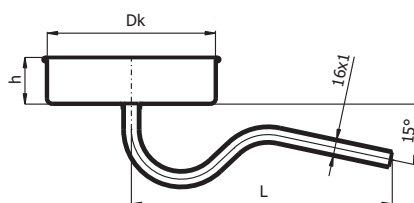
| | | | | |
|-------------|----|---|---|---------------------------------|
| Destination | W | - | - | W - ventilation ducts |
| | S | - | - | S - flue (oil and gas) ducts |
| | D | - | - | D - smoke ducts |
| Material | CH | - | - | CH - stainless steel 1.4404 |
| | - | - | - | X - stainless steel 1.4301 |
| | - | - | - | Z - heat resistant steel 1.4828 |

PICTURE

MEASUREMENTS

32. CONDENSATE DRAIN BOWL WITH SIPHON MSF

MSF



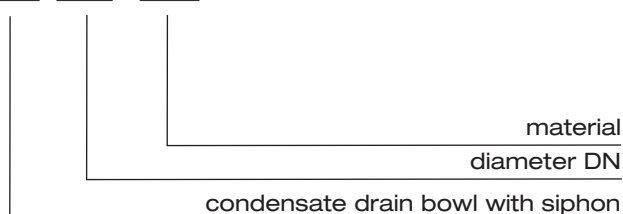
| Diameter DN | Ø80 | Ø100 | Ø110 | Ø120 | Ø130 | Ø140 | Ø150 | Ø160 | Ø180 | Ø200 | Ø225 | Ø250 | Ø300 | Ø350 | Ø400 | Ø450 | Ø500 |
|-------------|------|------|------|------|------|------|------|------|------|------------|------|------|------|------|------|------|------|
| Dk [mm] | 81 | 102 | 113 | 123 | 134 | 142 | 152 | 166 | 183 | 202 | 228 | 253 | 303 | 355 | 404 | 453 | 504 |
| A [mm] | 230 | 230 | 230 | 230 | 230 | 230 | 260 | 260 | 260 | upon order | | | | | | | |
| h [mm] | 60 | 60 | 60 | 57 | 55 | 60 | 52 | 45 | 41 | 43 | 60 | 60 | 60 | 60 | 60 | 60 | 60 |
| Weight [kg] | 0.20 | 0.25 | 0.25 | 0.30 | 0.30 | 0.30 | 0.35 | 0.40 | 0.50 | 0.60 | 0.60 | 0.70 | 0.85 | 1.05 | 1.35 | 1.60 | 1.85 |

for s=0.6

DENOTATIONS / PRODUCT CODES

MATERIALS

MSF x **- CH**



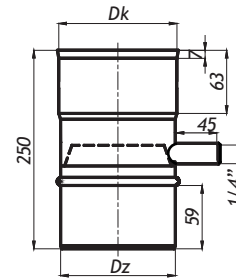
| | | | | |
|-------------|----|---|---|---------------------------------|
| Destination | W | - | - | W - ventilation ducts |
| | S | - | - | S - flue (oil and gas) ducts |
| | D | - | - | D - smoke ducts |
| Material | CH | - | - | CH - stainless steel 1.4404 |
| | - | - | - | X - stainless steel 1.4301 |
| | - | - | - | Z - heat resistant steel 1.4828 |

PICTURE

33. VERTICAL DRAIN BOWL MSP



MEASUREMENTS

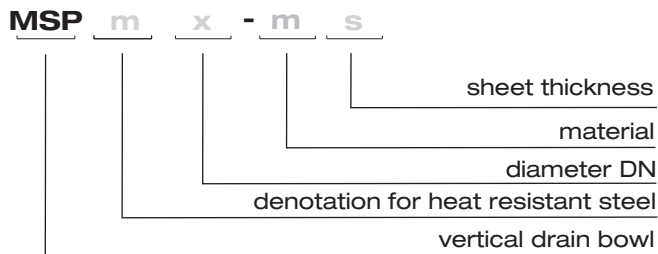


MSP

| Diameter DN | Ø80 | Ø100 | Ø110 | Ø120 | Ø130 | Ø140 | Ø150 | Ø160 | Ø180 | Ø200 | Ø225 | Ø250 | Ø300 | Ø350 | Ø400 | Ø450 | Ø500 |
|-------------|------|-------|-------|-------|-------|-------|-------|-------|-------|-------|-------|-------|-------|-------|-------|-------|-------|
| Dz | 80.1 | 100.8 | 112.0 | 123.1 | 132.7 | 140.7 | 151.9 | 161.4 | 182.1 | 201.2 | 226.7 | 252.2 | 301.6 | 350.9 | 401.9 | 451.2 | 502.2 |
| Dk | 81.1 | 101.8 | 113.0 | 124.1 | 133.7 | 141.7 | 152.9 | 162.4 | 183.1 | 202.2 | 227.7 | 253.2 | 303.1 | 352.4 | 403.4 | 452.7 | 503.7 |
| Weight [kg] | 0.35 | 0.45 | 0.50 | 0.50 | 0.55 | 0.65 | 0.70 | 0.75 | 0.85 | 0.90 | 1.00 | 1.10 | 1.30 | 1.50 | 1.75 | 1.95 | 2.15 |

for s=0.6

DENOTATIONS / PRODUCT CODES



MATERIALS

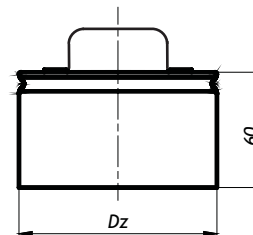
| | | | | |
|----------------------|----|---|---|---------------------------------|
| Destination | W | W | - | W - ventilation ducts |
| | S | - | - | S - flue (oil and gas) ducts |
| | - | - | D | D - smoke ducts |
| Material | CH | - | - | CH - stainless steel 1.4404 |
| | - | X | - | X - stainless steel 1.4301 |
| | - | - | Ż | Ż - heat resistant steel 1.4828 |
| Thickness of sheet s | 5 | - | - | 5 - thickness 0,5 mm |
| | 6 | 6 | - | 6 - thickness 0,6 mm |
| | 8 | 8 | 8 | 8 - thickness 0,8 mm |
| | 1 | 1 | 1 | 1 - thickness 1,0 mm |

PICTURE

34. TEE PLUG ZT



MEASUREMENTS

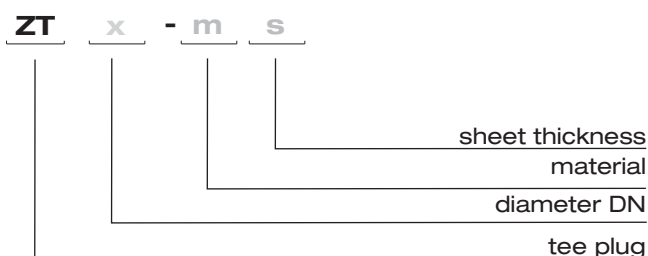


ZT

| Diameter DN | Ø80 | Ø100 | Ø110 | Ø120 | Ø130 | Ø140 | Ø150 | Ø160 | Ø180 | Ø200 | Ø225 | Ø250 | Ø300 | Ø350 | Ø400 | Ø450 | Ø500 |
|-------------|------|-------|-------|-------|-------|-------|-------|-------|-------|-------|-------|-------|-------|-------|-------|-------|-------|
| Dz [mm] | 80.2 | 100.9 | 112.1 | 123.2 | 132.8 | 140.7 | 151.9 | 161.4 | 182.1 | 201.2 | 226.7 | 252.2 | 301.6 | 350.9 | 401.9 | 451.2 | 502.2 |
| Weight [kg] | 0.12 | 0.15 | 0.17 | 0.19 | 0.20 | 0.22 | 0.24 | 0.26 | 0.30 | 0.35 | 0.42 | 0.48 | 0.63 | 0.80 | 1.00 | 1.20 | 1.40 |

for s=0.6

DENOTATIONS / PRODUCT CODES



MATERIALS

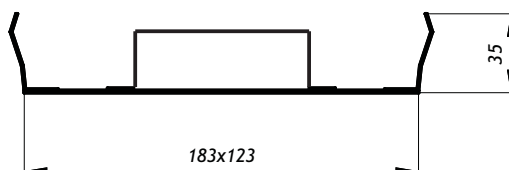
| | | | | |
|-------------------|----|---|---|---------------------------------|
| Destination | W | W | - | W - ventilation ducts |
| | S | - | - | S - flue (oil and gas) ducts |
| | - | - | D | D - smoke ducts |
| Material | CH | - | - | CH - stainless steel 1.4404 |
| | - | X | - | X - stainless steel 1.4301 |
| | - | - | Ż | Ż - heat resistant steel 1.4828 |
| Sheet thickness s | 5 | - | - | 5 - thickness 0,5 mm |
| | 6 | 6 | - | 6 - thickness 0,6 mm |
| | 8 | 8 | 8 | 8 - thickness 0,8 mm |
| | 1 | 1 | 1 | 1 - thickness 1,0 mm |

PICTURE

MEASUREMENTS

35. CLEAN OUT ELEMENT PLUG ZWC

ZWC

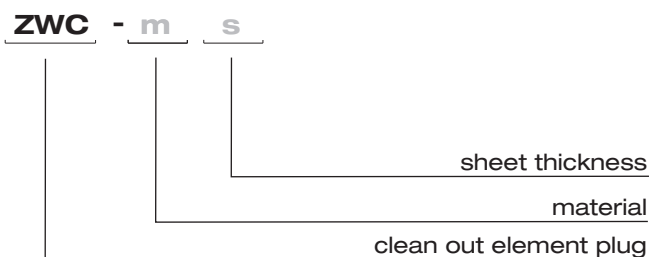


Weight [kg]

0.14

for s=0.6

DENOTATIONS / PRODUCT CODES



MATERIALS

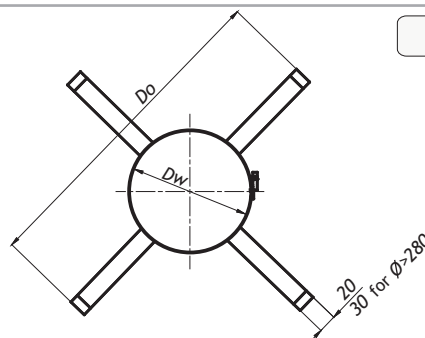
| | | | | |
|-------------------|----|---|---|---------------------------------|
| Destination | W | W | - | W - ventilation ducts |
| | S | - | - | S - flue (oil and gas) ducts |
| | - | - | D | D - smoke ducts |
| Material | CH | - | - | CH - stainless steel 1.4404 |
| | - | X | - | X - stainless steel 1.4301 |
| | - | - | Ż | Ż - heat resistant steel 1.4828 |
| Sheet thickness s | 5 | - | - | 5 - thickness 0,5 mm |
| | 6 | 6 | - | 6 - thickness 0,6 mm |
| | 8 | 8 | 8 | 8 - thickness 0,8 mm |
| | 1 | 1 | 1 | 1 - thickness 1,0 mm |

PICTURE

MEASUREMENTS

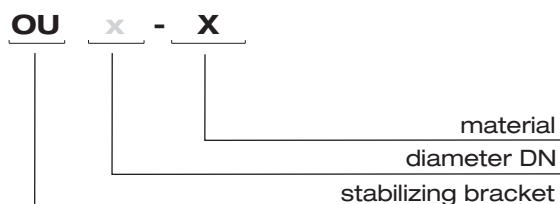
36. STABILIZING BRACKET OU

OU



| Diameter DN | Ø80 | Ø100 | Ø110 | Ø120 | Ø130 | Ø140 | Ø150 | Ø160 | Ø180 | Ø200 | Ø225 | Ø250 | Ø300 | Ø350 | Ø400 | Ø450 | Ø500 | for s=0.6 |
|-------------|------|-------|-------|-------|-------|-------|-------|-------|-------|-------|-------|-------|-------|-------|-------|-------|-------|-----------|
| Do [mm] | 480 | 500 | 512 | 523 | 532 | 540 | 552 | 561 | 582 | 602 | 626 | 652 | 702 | 752 | 802 | 852 | 902 | |
| Dw [mm] | 80.2 | 100.9 | 112.1 | 123.2 | 132.8 | 140.7 | 151.9 | 161.4 | 182.1 | 201.2 | 226.7 | 252.2 | 301.6 | 350.9 | 401.9 | 451.2 | 502.2 | |
| Weight [kg] | 0.10 | 0.10 | 0.10 | 0.10 | 0.10 | 0.10 | 0.10 | 0.10 | 0.15 | 0.15 | 0.15 | 0.15 | 0.20 | 0.20 | 0.20 | 0.20 | 0.25 | |

DENOTATIONS / PRODUCT CODES

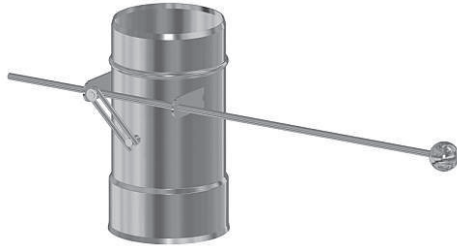


MATERIALS

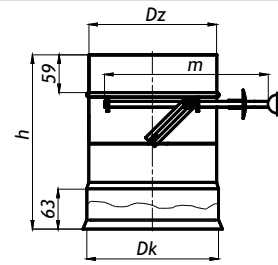
| | | | |
|-------------|---|---|---------------------------------|
| Destination | W | - | W - ventilation ducts |
| | - | S | S - flue (oil and gas) ducts |
| | - | D | D - smoke ducts |
| Material | - | - | CH - stainless steel 1.4404 |
| | - | X | X - stainless steel 1.4301 |
| | - | - | Ż - heat resistant steel 1.4828 |

PICTURE

37. CHIMNEY DAMPER SZK



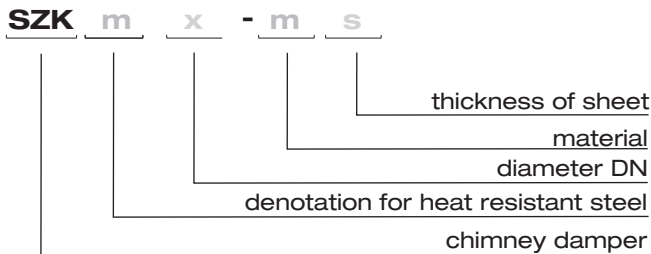
MEASUREMENTS



SZK

| Diameter DN | Ø120 | Ø130 | Ø140 | Ø150 | Ø160 | Ø180 | Ø200 | Ø225 | Ø250 | Ø300 | for s=1.0 |
|-------------|-------|-------|-------|-------|-------|-------|-------|-------|-------|-------|-----------|
| Dz | 123.2 | 132.8 | 140.7 | 151.9 | 161.4 | 182.1 | 201.2 | 226.7 | 252.2 | 301.6 | |
| Dk | 124.2 | 133.8 | 141.7 | 152.9 | 162.4 | 183.1 | 202.2 | 227.7 | 253.2 | 302.6 | |
| h[mm] | 220 | 230 | 240 | 250 | 260 | 280 | 300 | 325 | 350 | 400 | |
| m[mm] | 660 | 660 | 660 | 800 | 800 | 800 | 800 | 800 | 800 | 800 | |
| Weight [kg] | 1.45 | 1.55 | 1.65 | 1.80 | 1.90 | 2.15 | 2.45 | 2.85 | 3.30 | 4.30 | |

DENOTATIONS / PRODUCT CODES



MATERIALS

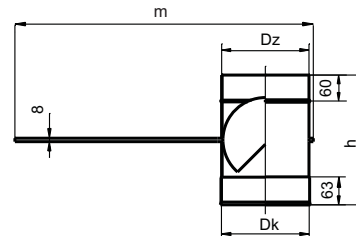
| | | | | |
|----------------------|----|---|---|---------------------------------|
| Destination | W | - | - | W - ventilation ducts |
| | S | - | - | S - flue (oil and gas) ducts |
| | - | - | D | D - smoke ducts |
| Material | CH | - | - | CH - stainless steel 1.4404 |
| | - | - | - | X - stainless steel 1.4301 |
| | - | - | Ž | Ž - heat resistant steel 1.4828 |
| Thickness of sheet s | - | - | - | 5 - thickness 0,5 mm |
| | - | - | - | 6 - thickness 0,6 mm |
| | 8 | - | 8 | 8 - thickness 0,8 mm |
| | 1 | - | 1 | 1 - thickness 1,0 mm |

PICTURE

38. SIMPLIFIED CHIMNEY DAMPER SZKŽ



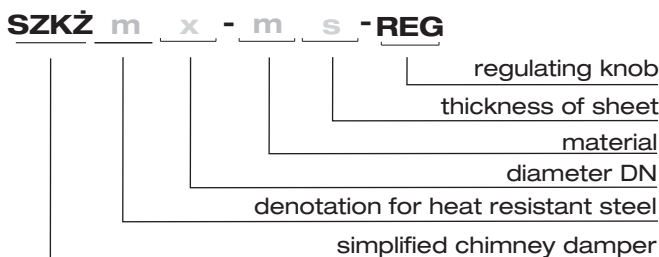
MEASUREMENTS



SZKŽ

| Diameter DN | Ø120 | Ø130 | Ø140 | Ø150 | Ø160 | Ø180 | Ø200 | Ø225 | Ø250 | Ø300 | for s=1.0 |
|-------------|-------|-------|-------|-------|-------|-------|-------|-------|-------|-------|-----------|
| Dz | 123.2 | 132.8 | 140.7 | 151.9 | 161.4 | 182.1 | 201.2 | 226.7 | 252.2 | 301.6 | |
| Dk | 124.2 | 133.8 | 141.7 | 152.9 | 162.4 | 183.1 | 202.2 | 227.7 | 253.2 | 302.6 | |
| h[mm] | 220 | 230 | 240 | 250 | 260 | 280 | 300 | 325 | 350 | 400 | |
| m[mm] | 690 | 690 | 690 | 690 | 690 | 690 | 690 | 690 | 690 | 690 | |
| Weight [kg] | 1.25 | 1.35 | 1.45 | 1.60 | 1.70 | 1.95 | 2.25 | 2.65 | 3.10 | 4.10 | |

DENOTATIONS / PRODUCT CODES



MATERIALS

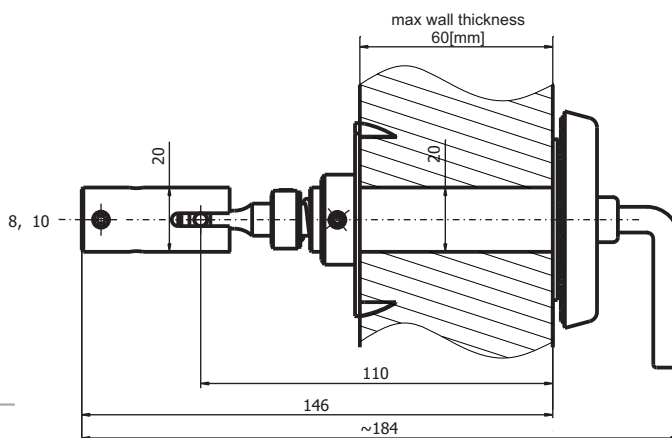
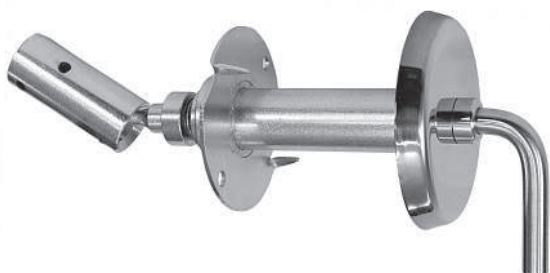
| | | | | |
|----------------------|----|---|---|---------------------------------|
| Destination | W | - | - | W - ventilation ducts |
| | S | - | - | S - flue (oil and gas) ducts |
| | - | - | D | D - smoke ducts |
| Material | CH | - | - | CH - stainless steel 1.4404 |
| | - | - | - | X - stainless steel 1.4301 |
| | - | - | Ž | Ž - heat resistant steel 1.4828 |
| Thickness of sheet s | - | - | - | 5 - thickness 0,5 mm |
| | - | - | - | 6 - thickness 0,6 mm |
| | 8 | - | 8 | 8 - thickness 0,8 mm |
| | 1 | - | 1 | 1 - thickness 1,0 mm |

PICTURE

MEASUREMENTS

39. CHIMNEY DAMPER KNOB SZK-REG

SZK-REG



ADVANTAGES

- allows to set the damper in 8 different positions
- safe - always cool handle
- can be used with angular claddings
- can be used with heat resistant or mild steel 2 mm chimney dampers

DENOTATIONS / PRODUCT CODES

SZK - REG



MATERIALS

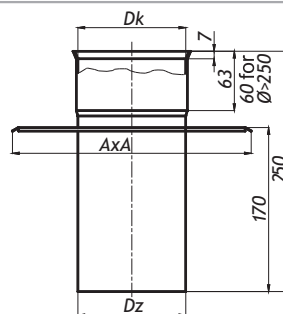
| | | | | |
|--------------------|----|---|----|------------------------------|
| Destination | - | - | - | W - ventilation ducts |
| | S | - | - | S - flue (oil and gas) ducts |
| | - | - | D | D - smoke ducts |
| Material | CH | - | CH | CH - stainless steel 1.4301 |

PICTURE

MEASUREMENTS

40. INTERMEDIATE SUPPORT PP

PP



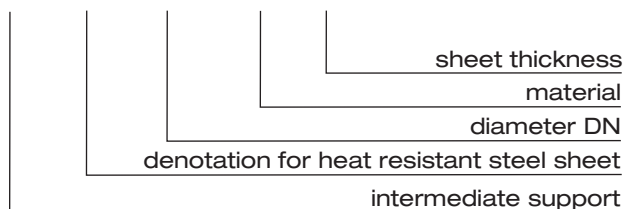
| Diameter DN | Ø80 | Ø100 | Ø110 | Ø120 | Ø130 | Ø140 | Ø150 | Ø160 | Ø180 | Ø200 | Ø225 | Ø250 | Ø300 | Ø350 | Ø400 | Ø450 | Ø500 |
|--------------------|------|-------|-------|-------|-------|-------|-------|-------|-------|-------|-------|-------|-------|-------|-------|-------|-------|
| Dz [mm] | 80.2 | 100.9 | 112.1 | 123.2 | 132.8 | 140.7 | 151.9 | 161.4 | 182.1 | 201.2 | 226.7 | 252.2 | 301.6 | 350.9 | 401.9 | 451.2 | 502.2 |
| Dk [mm] | 81.2 | 101.9 | 113.1 | 124.2 | 133.8 | 141.7 | 152.9 | 162.4 | 183.1 | 202.2 | 227.7 | 253.2 | 302.6 | 351.9 | 402.9 | 452.2 | 503.2 |
| A [mm] | 250 | 250 | 250 | 250 | 250 | 250 | 300 | 300 | 300 | 330 | 350 | 400 | 450 | 550 | 550 | 600 | 650 |
| Weight [kg] | 0.75 | 0.80 | 0.85 | 0.87 | 0.90 | 0.95 | 1.10 | 1.15 | 1.20 | 1.35 | 1.50 | 1.85 | 2.20 | 2.55 | 2.90 | 3.30 | 3.70 |

for s=0.6

DENOTATIONS / PRODUCT CODES

MATERIALS

PP **m** **x** **- m** **s**



| | | | | |
|--------------------------|----|---|---|---------------------------------|
| Destination | W | W | - | W - ventilation ducts |
| | S | - | - | S - flue (oil and gas) ducts |
| | - | - | D | D - smoke ducts |
| Material | CH | - | - | CH - stainless steel 1.4404 |
| | - | X | - | X - stainless steel 1.4301 |
| | - | - | Ž | Ž - heat resistant steel 1.4828 |
| Sheet thickness s | 5 | - | - | 5 - thickness 0,5 mm |
| | 6 | 6 | - | 6 - thickness 0,6 mm |
| | 8 | 8 | 8 | 8 - thickness 0,8 mm |
| | 1 | 1 | 1 | 1 - thickness 1,0 mm |

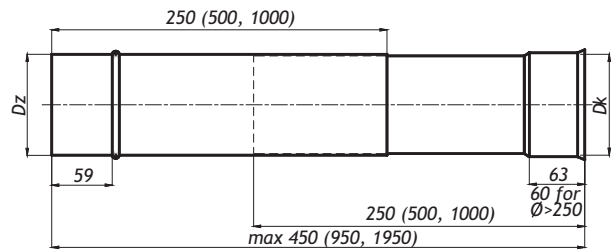
PICTURE

41. TELESCOPIC PIPE RT



MEASUREMENTS

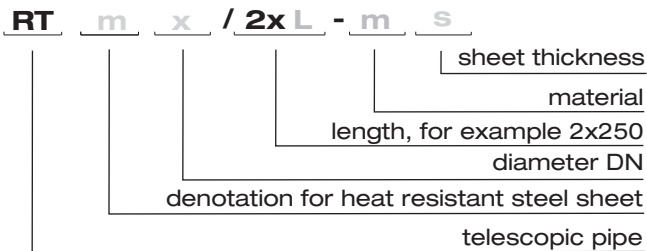
RT



| Diameter DN | Ø80 | Ø100 | Ø110 | Ø120 | Ø130 | Ø140 | Ø150 | Ø160 | Ø180 | Ø200 | Ø225 | Ø250 | Ø300 | Ø350 | Ø400 | Ø450 | Ø500 |
|-------------|------|-------|-------|-------|-------|-------|-------|-------|-------|-------|-------|-------|-------|-------|-------|-------|-------|
| Dz | 80.2 | 100.9 | 112.1 | 123.2 | 132.8 | 140.7 | 151.9 | 161.4 | 182.1 | 201.2 | 226.7 | 252.2 | 301.6 | 350.9 | 401.9 | 451.2 | 502.2 |
| Dk | 81.2 | 101.9 | 113.1 | 124.2 | 133.8 | 141.7 | 152.9 | 162.4 | 183.1 | 202.2 | 227.7 | 253.2 | 302.6 | 351.9 | 402.9 | 452.2 | 503.2 |
| Weight [kg] | 0.60 | 0.76 | 0.84 | 0.93 | 1.00 | 1.06 | 1.14 | 1.21 | 1.37 | 1.51 | 1.70 | 1.90 | 2.27 | 2.64 | 3.03 | 3.40 | 3.78 |

for s=0.6
L=2x 250

DENOTATIONS / PRODUCT CODES



MATERIALS

| | | | | |
|-------------------|----|---|---|---------------------------------|
| Destination | W | W | - | W - ventilation ducts |
| | S | - | - | S - flue (oil and gas) ducts |
| | - | - | D | D - smoke ducts |
| Material | CH | - | - | CH - stainless steel 1.4404 |
| | - | X | - | X - stainless steel 1.4301 |
| | - | - | Ž | Ž - heat resistant steel 1.4828 |
| Sheet thickness s | 5 | - | - | 5 - thickness 0,5 mm |
| | 6 | 6 | - | 6 - thickness 0,6 mm |
| | 8 | 8 | 8 | 8 - thickness 0,8 mm |
| | 1 | 1 | 1 | 1 - thickness 1,0 mm |

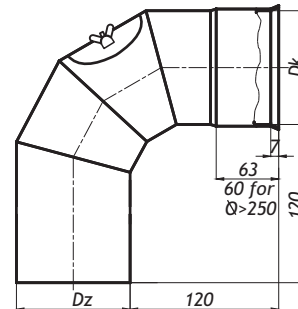
PICTURE

42. SOLID ELBOW 90° WITH REVISION Ksr / 90



MEASUREMENTS

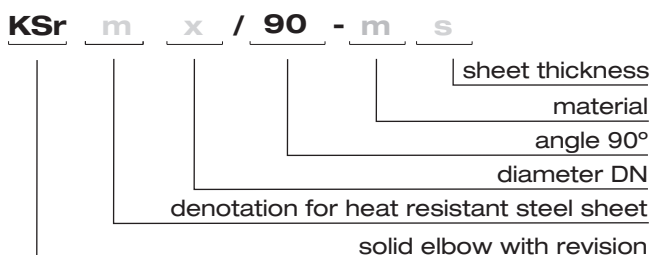
Ksr / 90



| Diameter DN | Ø80 | Ø100 | Ø110 | Ø120 | Ø130 | Ø140 | Ø150 | Ø160 | Ø180 | Ø200 | Ø225 | Ø250 | Ø300 | Ø350 | Ø400 | Ø450 | Ø500 |
|-------------|------|-------|-------|-------|-------|-------|-------|-------|-------|-------|-------|-------|-------|-------|-------|-------|-------|
| Dz [mm] | 80.2 | 100.9 | 112.1 | 123.2 | 132.8 | 140.7 | 151.9 | 161.4 | 182.1 | 201.2 | 226.7 | 252.2 | 301.6 | 350.9 | 401.9 | 451.2 | 502.2 |
| Dk [mm] | 81.2 | 101.9 | 113.1 | 124.2 | 133.8 | 141.7 | 152.9 | 162.4 | 183.1 | 202.2 | 227.7 | 253.2 | 302.6 | 351.9 | 402.9 | 452.2 | 503.2 |
| Weight [kg] | 0.32 | 0.48 | 0.54 | 0.62 | 0.66 | 0.74 | 0.80 | 0.97 | 1.10 | 1.21 | 1.36 | 1.82 | 2.27 | 2.64 | 3.75 | 4.55 | 5.44 |

for s=0.6

DENOTATIONS / PRODUCT CODES



MATERIALS

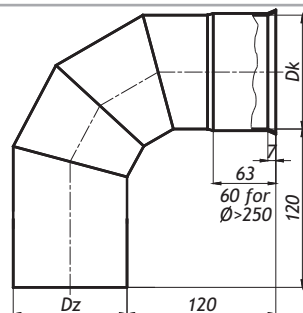
| | | | | |
|-------------------|----|---|---|---------------------------------|
| Destination | W | W | - | W - ventilation ducts |
| | S | - | - | S - flue (oil and gas) ducts |
| | - | - | D | D - smoke ducts |
| Material | CH | - | - | CH - stainless steel 1.4404 |
| | - | X | - | X - stainless steel 1.4301 |
| | - | - | Ž | Ž - heat resistant steel 1.4828 |
| Sheet thickness s | 5 | - | - | 5 - thickness 0,5 mm |
| | 6 | 6 | - | 6 - thickness 0,6 mm |
| | 8 | 8 | 8 | 8 - thickness 0,8 mm |
| | 1 | 1 | 1 | 1 - thickness 1,0 mm |

PICTURE

43. SOLID ELBOW 90° KS/90



MEASUREMENTS

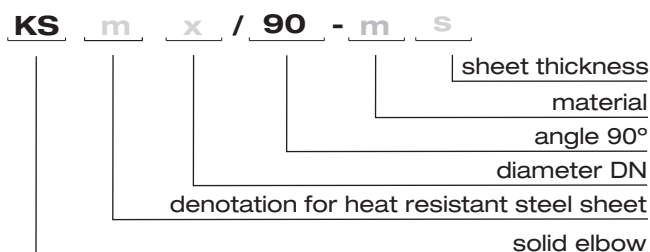


KS/90

| Diameter DN | Ø80 | Ø100 | Ø110 | Ø120 | Ø130 | Ø140 | Ø150 | Ø160 | Ø180 | Ø200 | Ø225 | Ø250 | Ø300 | Ø350 | Ø400 | Ø450 | Ø500 |
|-------------|------|-------|-------|-------|-------|-------|-------|-------|-------|-------|-------|-------|-------|-------|-------|-------|-------|
| Dz [mm] | 80.2 | 100.9 | 112.1 | 123.2 | 132.8 | 140.7 | 151.9 | 161.4 | 182.1 | 201.2 | 226.7 | 252.2 | 301.6 | 350.9 | 401.9 | 451.2 | 502.2 |
| Dk [mm] | 81.2 | 101.9 | 113.1 | 124.2 | 133.8 | 141.7 | 152.9 | 162.4 | 183.1 | 202.2 | 227.7 | 253.2 | 302.6 | 351.9 | 402.9 | 452.2 | 503.2 |
| Weight [kg] | 0.32 | 0.48 | 0.54 | 0.62 | 0.66 | 0.74 | 0.80 | 0.97 | 1.10 | 1.21 | 1.36 | 1.82 | 2.27 | 2.64 | 3.75 | 4.55 | 5.44 |

for s=0.6

DENOTATIONS / PRODUCT CODES



MATERIALS

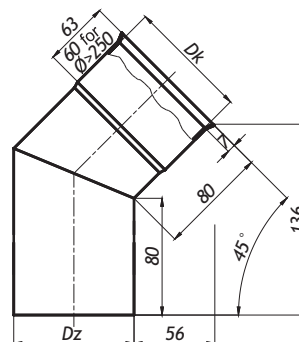
| | | | | |
|-------------------|----|---|---|---------------------------------|
| Destination | W | W | - | W - ventilation ducts |
| | S | - | - | S - flue (oil and gas) ducts |
| | - | - | D | D - smoke ducts |
| Material | CH | - | - | CH - stainless steel 1.4404 |
| | - | X | - | X - stainless steel 1.4301 |
| | - | - | Ż | Ż - heat resistant steel 1.4828 |
| Sheet thickness s | 5 | - | - | 5 - thickness 0,5 mm |
| | 6 | 6 | - | 6 - thickness 0,6 mm |
| | 8 | 8 | 8 | 8 - thickness 0,8 mm |
| | 1 | 1 | 1 | 1 - thickness 1,0 mm |

PICTURE

44. SOLID ELBOW 45° KS/45



MEASUREMENTS

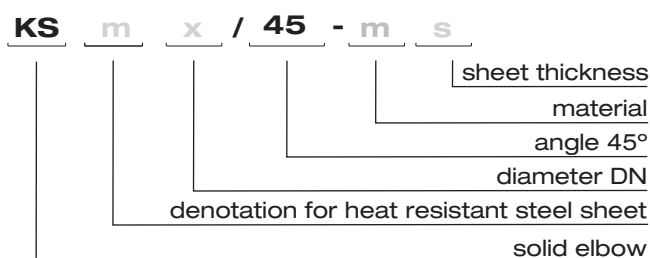


KS/45

| Diameter DN | Ø80 | Ø100 | Ø110 | Ø120 | Ø130 | Ø140 | Ø150 | Ø160 | Ø180 | Ø200 | Ø225 | Ø250 | Ø300 | Ø350 | Ø400 | Ø450 | Ø500 |
|-------------|------|-------|-------|-------|-------|-------|-------|-------|-------|-------|-------|-------|-------|-------|-------|-------|-------|
| Dz [mm] | 80.2 | 100.9 | 112.1 | 123.2 | 132.8 | 140.7 | 151.9 | 161.4 | 182.1 | 201.2 | 226.7 | 252.2 | 301.6 | 350.9 | 401.9 | 451.2 | 502.2 |
| Dk [mm] | 81.2 | 101.9 | 113.1 | 124.2 | 133.8 | 141.7 | 152.9 | 162.4 | 183.1 | 202.2 | 227.7 | 253.2 | 302.6 | 351.9 | 402.9 | 452.2 | 503.2 |
| Weight [kg] | 0.25 | 0.35 | 0.40 | 0.45 | 0.50 | 0.50 | 0.55 | 0.60 | 0.70 | 0.80 | 0.95 | 1.10 | 1.40 | 1.70 | 2.10 | 2.50 | 2.95 |

for s=0.6

DENOTATIONS / PRODUCT CODES



MATERIALS

| | | | | |
|-------------------|----|---|---|---------------------------------|
| Destination | W | W | - | W - ventilation ducts |
| | S | - | - | S - flue (oil and gas) ducts |
| | - | - | D | D - smoke ducts |
| Material | CH | - | - | CH - stainless steel 1.4404 |
| | - | X | - | X - stainless steel 1.4301 |
| | - | - | Ż | Ż - heat resistant steel 1.4828 |
| Sheet thickness s | 5 | - | - | 5 - thickness 0,5 mm |
| | 6 | 6 | - | 6 - thickness 0,6 mm |
| | 8 | 8 | 8 | 8 - thickness 0,8 mm |
| | 1 | 1 | 1 | 1 - thickness 1,0 mm |

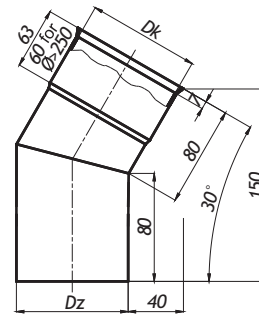
PICTURE

45. SOLID ELBOW 30° KS/30



MEASUREMENTS

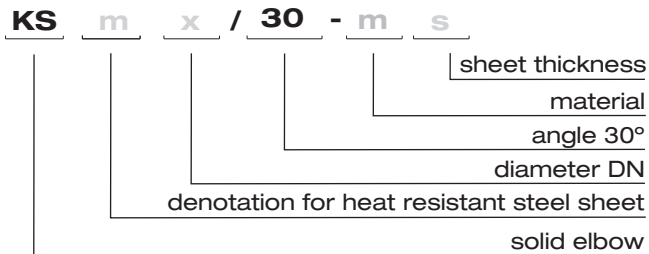
KS/30



| Diameter DN | Ø80 | Ø100 | Ø110 | Ø120 | Ø130 | Ø140 | Ø150 | Ø160 | Ø180 | Ø200 | Ø225 | Ø250 | Ø300 | Ø350 | Ø400 | Ø450 | Ø500 |
|-------------|------|-------|-------|-------|-------|-------|-------|-------|-------|-------|-------|-------|-------|-------|-------|-------|-------|
| Dz [mm] | 80.2 | 100.9 | 112.1 | 123.2 | 132.8 | 140.7 | 151.9 | 161.4 | 182.1 | 201.2 | 226.7 | 252.2 | 301.6 | 350.9 | 401.9 | 451.2 | 502.2 |
| Dk [mm] | 81.2 | 101.9 | 113.1 | 124.2 | 133.8 | 141.7 | 152.9 | 162.4 | 183.1 | 202.2 | 227.7 | 253.2 | 302.6 | 351.9 | 402.9 | 452.2 | 503.2 |
| Weight [kg] | 0.25 | 0.30 | 0.35 | 0.40 | 0.45 | 0.45 | 0.50 | 0.55 | 0.65 | 0.70 | 0.80 | 0.95 | 1.20 | 1.45 | 1.75 | 2.05 | 2.40 |

for s=0.6

DENOTATIONS / PRODUCT CODES



MATERIALS

| | | | | |
|-------------------|----|---|---|---------------------------------|
| Destination | W | W | - | W - ventilation ducts |
| | S | - | - | S - flue (oil and gas) ducts |
| | - | - | D | D - smoke ducts |
| Material | CH | - | - | CH - stainless steel 1.4404 |
| | - | X | - | X - stainless steel 1.4301 |
| | - | - | Z | Z - heat resistant steel 1.4828 |
| Sheet thickness s | 5 | - | - | 5 - thickness 0,5 mm |
| | 6 | 6 | - | 6 - thickness 0,6 mm |
| | 8 | 8 | 8 | 8 - thickness 0,8 mm |
| | 1 | 1 | 1 | 1 - thickness 1,0 mm |

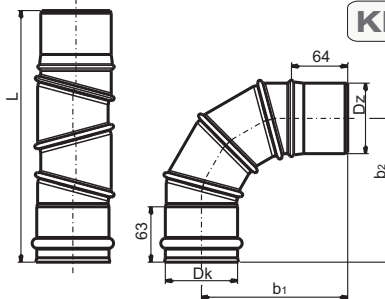
PICTURE

46. AIR TIGHT ADJUSTABLE ELBOW 90° KNU/90



MEASUREMENTS

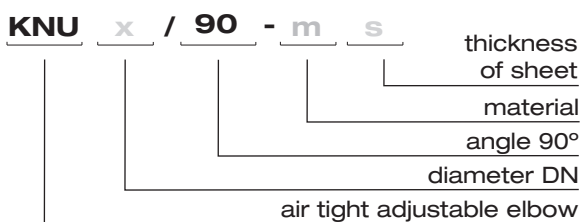
KNU/90



| Diameter DN | Ø80 | Ø100 | Ø110 | Ø120 | Ø130 | Ø150 |
|---------------------|------|-------|------|-------|-------|-------|
| Dz [mm] | 80.2 | 100.9 | 112 | 123.1 | 132.7 | 150.8 |
| Dk [mm] | 81 | 101.9 | 113 | 124.1 | 133.7 | 152.8 |
| b ₁ [mm] | 166 | 182 | 187 | 204 | 201 | 223 |
| b ₂ [mm] | 164 | 180 | 184 | 202 | 200 | 221 |
| L [mm] | 286 | 312 | 318 | 348 | 345 | 383 |
| Weight [kg] | 0.27 | 0.37 | 0.42 | 0.49 | 0.53 | 0.79 |

for s=0.5

DENOTATIONS / PRODUCT CODES



MATERIALS

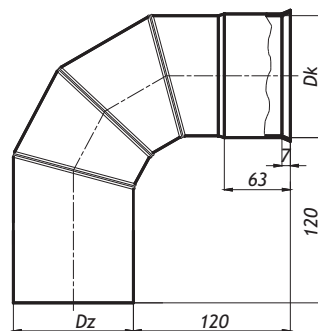
| | | | | |
|----------------------|----|---|---|---------------------------------|
| Destination | W | W | - | W - ventilation ducts |
| | S | - | - | S - flue (oil and gas) ducts |
| | - | - | D | D - smoke ducts |
| Material | CH | - | - | CH - stainless steel 1.4404 |
| | - | X | - | X - stainless steel 1.4301 |
| | - | - | Z | Z - heat resistant steel 1.4828 |
| Thickness of sheet s | 5 | 5 | - | 5 - thickness 0,5 mm |
| | 6 | 6 | - | 6 - thickness 0,6 mm |
| | - | - | - | 8 - thickness 0,8 mm |
| | - | - | - | 1 - thickness 1,0 mm |

PICTURE

47. ADJUSTABLE ELBOW 90° KN/90



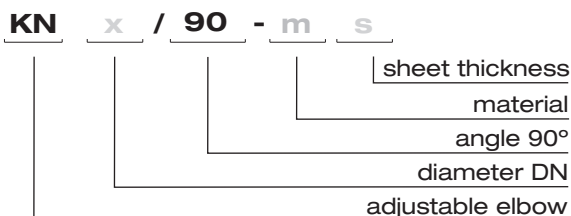
MEASUREMENTS



KN/90

| Diameter DN | Ø80 | Ø100 | Ø110 | Ø120 | Ø130 | Ø140 | Ø150 | Ø160 | Ø180 | Ø200 | for s=0.6 |
|-------------|------|-------|-------|-------|-------|-------|-------|-------|-------|-------|-----------|
| Dz [mm] | 80.2 | 100.9 | 112.1 | 123.2 | 132.8 | 140.7 | 151.9 | 161.4 | 182.1 | 201.2 | |
| Dk [mm] | 81.2 | 101.9 | 113.1 | 124.2 | 133.8 | 141.7 | 152.9 | 162.4 | 183.1 | 202.2 | |
| Weight [kg] | 0.32 | 0.48 | 0.54 | 0.62 | 0.66 | 0.74 | 0.80 | 0.97 | 1.10 | 1.21 | |

DENOTATIONS / PRODUCT CODES



MATERIALS

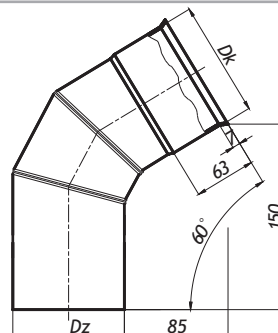
| | | | | |
|-------------------|----|---|---|---------------------------------|
| Destination | W | W | - | W - ventilation ducts |
| | S | - | - | S - flue (oil and gas) ducts |
| | - | - | - | D - smoke ducts |
| Material | CH | - | - | CH - stainless steel 1.4404 |
| | - | X | - | X - stainless steel 1.4301 |
| | - | - | - | Z - heat resistant steel 1.4828 |
| Sheet thickness s | 5 | - | - | 5 - thickness 0,5 mm |
| | 6 | 6 | - | 6 - thickness 0,6 mm |
| | 8 | 8 | - | 8 - thickness 0,8 mm |
| | - | - | - | 1 - thickness 1,0 mm |

PICTURE

48. ADJUSTABLE ELBOW 60° KN/60



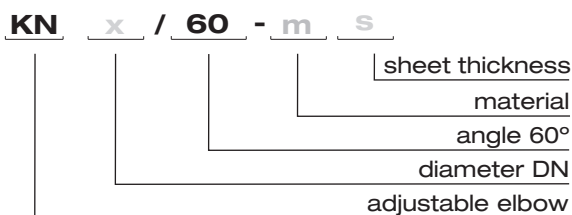
MEASUREMENTS



KN/60

| Diameter DN | Ø80 | Ø100 | Ø110 | Ø120 | Ø130 | Ø140 | Ø150 | Ø160 | Ø180 | Ø200 | for s=0.6 |
|-------------|------|-------|-------|-------|-------|-------|-------|-------|-------|-------|-----------|
| Dz [mm] | 80.2 | 100.9 | 112.1 | 123.2 | 132.8 | 140.7 | 151.9 | 161.4 | 182.1 | 201.2 | |
| Dk [mm] | 81.2 | 101.9 | 113.1 | 124.2 | 133.8 | 141.7 | 152.9 | 162.4 | 183.1 | 202.2 | |
| Weight [kg] | 0.23 | 0.37 | 0.43 | 0.48 | 0.52 | 0.55 | 0.62 | 0.75 | 0.86 | 0.95 | |

DENOTATIONS / PRODUCT CODES



MATERIALS

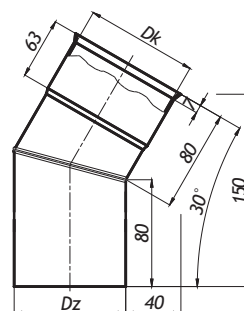
| | | | | |
|-------------------|----|---|---|---------------------------------|
| Destination | W | W | - | W - ventilation ducts |
| | S | - | - | S - flue (oil and gas) ducts |
| | - | - | - | D - smoke ducts |
| Material | CH | - | - | CH - stainless steel 1.4404 |
| | - | X | - | X - stainless steel 1.4301 |
| | - | - | - | Z - heat resistant steel 1.4828 |
| Sheet thickness s | 5 | - | - | 5 - thickness 0,5 mm |
| | 6 | 6 | - | 6 - thickness 0,6 mm |
| | 8 | 8 | - | 8 - thickness 0,8 mm |
| | - | - | - | 1 - thickness 1,0 mm |

PICTURE

MEASUREMENTS

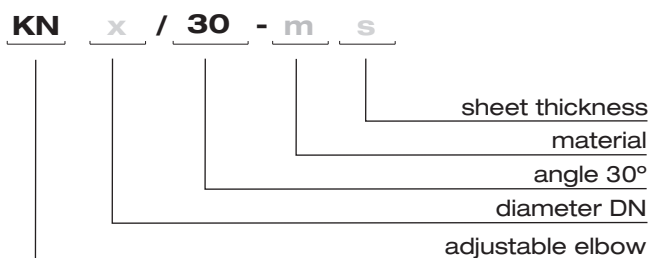
49. ADJUSTABLE ELBOW 30° KN/30

KN/30



| Diameter DN | Ø80 | Ø100 | Ø110 | Ø120 | Ø130 | Ø140 | Ø150 | Ø160 | Ø180 | Ø200 | for s=0.6 |
|-------------|------|-------|-------|-------|-------|-------|-------|-------|-------|-------|-----------|
| Dz [mm] | 80.2 | 100.9 | 112.1 | 123.2 | 132.8 | 140.7 | 151.9 | 161.4 | 182.1 | 201.2 | |
| Dk [mm] | 81.2 | 101.9 | 113.1 | 124.2 | 133.8 | 141.7 | 152.9 | 162.4 | 183.1 | 202.2 | |
| Weight [kg] | 0.24 | 0.32 | 0.355 | 0.40 | 0.43 | 0.46 | 0.50 | 0.55 | 0.63 | 0.71 | |

DENOTATIONS / PRODUCT CODES



MATERIALS

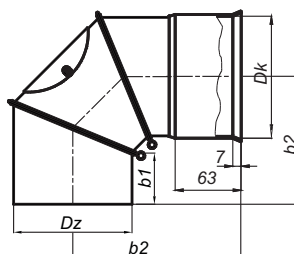
| Destination | W | W | - | W - ventilation ducts |
|-------------------|----|---|-----------------|---------------------------------|
| | S | - | - | S - flue (oil and gas) ducts |
| - | - | - | D - smoke ducts | |
| Material | CH | - | - | CH - stainless steel 1.4404 |
| | - | X | - | X - stainless steel 1.4301 |
| | - | - | Ž | Ž - heat resistant steel 1.4828 |
| Sheet thickness s | 5 | - | - | 5 - thickness 0,5 mm |
| | 6 | 6 | - | 6 - thickness 0,6 mm |
| | 8 | 8 | - | 8 - thickness 0,8 mm |
| | - | - | - | 1 - thickness 1,0 mm |

PICTURE

MEASUREMENTS

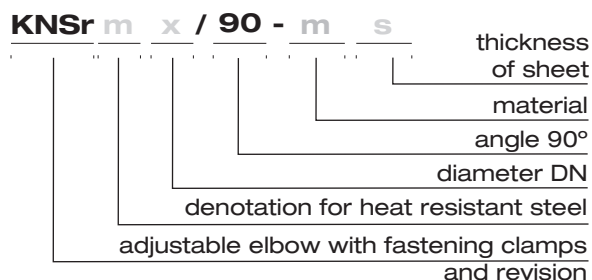
50. ADJUSTABLE ELBOW WITH FASTENING CLAMPS AND REVISION 90° KNSr/90

KNSr/90



| Diameter DN | Ø120 | Ø130 | Ø140 | Ø150 | Ø160 | Ø180 | Ø200 | for s=0.6 |
|-------------|-------|-------|-------|-------|-------|-------|-------|-----------|
| Dz [mm] | 123.2 | 132.8 | 140.7 | 151.9 | 161.4 | 182.1 | 201.2 | |
| Dk [mm] | 124.2 | 133.8 | 141.7 | 152.9 | 162.4 | 183.1 | 202.2 | |
| b1 [mm] | 70 | 70 | 70 | 70 | 70 | 70 | 70 | |
| b2 [mm] | 205 | 205 | 210 | 210 | 205 | 205 | 220 | |
| Weight [kg] | 0.62 | 0.66 | 0.74 | 0.80 | 0.97 | 1.10 | 1.21 | |

DENOTATIONS / PRODUCT CODES



MATERIALS

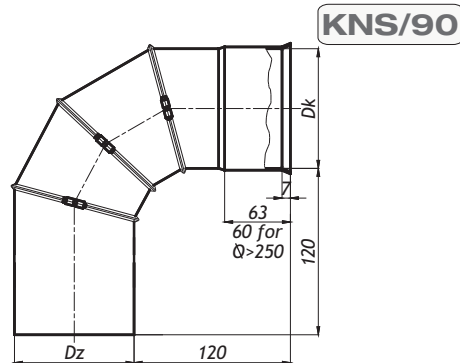
| Destination | W | W | - | W - ventilation ducts |
|----------------------|----|---|-----------------|---------------------------------|
| | S | - | - | S - flue (oil and gas) ducts |
| - | - | - | D - smoke ducts | |
| Material | CH | - | - | CH - stainless steel 1.4404 |
| | - | X | - | X - stainless steel 1.4301 |
| | - | - | Ž | Ž - heat resistant steel 1.4828 |
| Thickness of sheet s | 5 | - | - | 5 - thickness 0,5 mm |
| | 6 | 6 | - | 6 - thickness 0,6 mm |
| | 8 | 8 | 8 | 8 - thickness 0,8 mm |
| | 1 | 1 | 1 | 1 - thickness 1,0 mm |

PICTURE

51. ADJUSTABLE 4 SEGMENT ELBOW WITH FASTENING CLAMPS 90° KNS/90

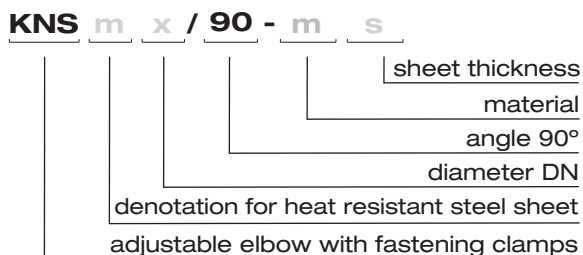


MEASUREMENTS



| Diameter DN | Ø120 | Ø130 | Ø140 | Ø150 | Ø160 | Ø180 | Ø200 | Ø225 | Ø250 | Ø300 | Ø350 | Ø400 | Ø450 | Ø500 | for s=0.6 |
|-------------|-------|-------|-------|-------|-------|-------|-------|-------|-------|-------|-------|-------|-------|-------|-----------|
| Dz [mm] | 123.2 | 132.8 | 140.7 | 151.9 | 161.4 | 182.1 | 201.2 | 226.7 | 252.2 | 301.6 | 350.9 | 401.9 | 451.2 | 502.2 | |
| Dk [mm] | 124.2 | 133.8 | 141.7 | 152.9 | 162.4 | 183.1 | 202.2 | 227.7 | 253.2 | 302.6 | 351.9 | 402.9 | 452.2 | 503.2 | |
| Weight [kg] | 0.62 | 0.66 | 0.74 | 0.80 | 0.97 | 1.10 | 1.21 | 1.36 | 1.82 | 2.27 | 2.64 | 3.75 | 4.55 | 5.44 | |

DENOTATIONS / PRODUCT CODES



MATERIALS

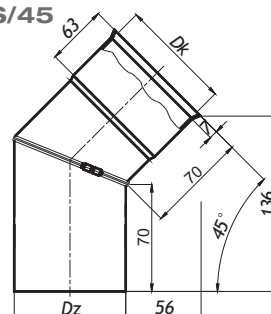
| | | | | |
|-------------------|----|---|---|---------------------------------|
| Destination | W | W | - | W - ventilation ducts |
| | S | - | - | S - flue (oil and gas) ducts |
| | - | - | D | D - smoke ducts |
| Material | CH | - | - | CH - stainless steel 1.4404 |
| | - | X | - | X - stainless steel 1.4301 |
| | - | - | Z | Z - heat resistant steel 1.4828 |
| Sheet thickness s | 5 | - | - | 5 - thickness 0,5 mm |
| | 6 | 6 | - | 6 - thickness 0,6 mm |
| | 8 | 8 | 8 | 8 - thickness 0,8 mm |
| | 1 | 1 | 1 | 1 - thickness 1,0 mm |

PICTURE

52. ADJUSTABLE ELBOW WITH FASTENING CLAMP 45° KNS/45

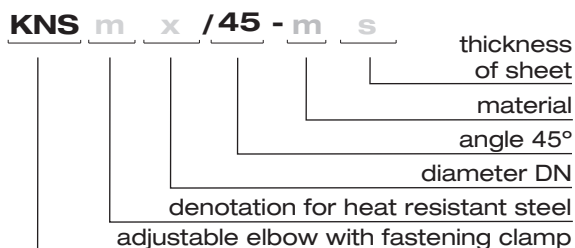


MEASUREMENTS



| Diameter DN | Ø120 | Ø130 | Ø140 | Ø150 | Ø160 | Ø180 | Ø200 | for s=0.6 |
|-------------|-------|-------|-------|-------|-------|-------|-------|-----------|
| Dz [mm] | 123.2 | 132.8 | 140.7 | 151.9 | 161.4 | 182.1 | 201.2 | |
| Dk [mm] | 124.2 | 133.8 | 141.7 | 152.9 | 162.4 | 183.1 | 202.2 | |
| Weight [kg] | 0.45 | 0.50 | 0.50 | 0.55 | 0.60 | 0.70 | 0.80 | |

DENOTATIONS / PRODUCT CODES



MATERIALS

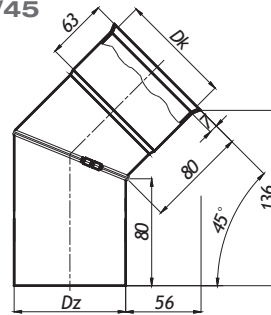
| | | | | |
|----------------------|----|---|---|---------------------------------|
| Destination | W | W | - | W - ventilation ducts |
| | S | - | - | S - flue (oil and gas) ducts |
| | - | - | D | D - smoke ducts |
| Material | CH | - | - | CH - stainless steel 1.4404 |
| | - | X | - | X - stainless steel 1.4301 |
| | - | - | Z | Z - heat resistant steel 1.4828 |
| Thickness of sheet s | 5 | - | - | 5 - thickness 0,5 mm |
| | 6 | 6 | - | 6 - thickness 0,6 mm |
| | 8 | 8 | 8 | 8 - thickness 0,8 mm |
| | 1 | 1 | 1 | 1 - thickness 1,0 mm |

PICTURE

MEASUREMENTS

53. ADJUSTABLE ELBOW WITH FASTENING CLAMP 45° KNS/45

KNS/45



| Diameter DN | Ø120 | Ø130 | Ø140 | Ø150 | Ø160 | Ø180 | Ø200 | Ø225 | Ø250 | Ø300 | Ø350 | Ø400 | Ø450 | Ø500 | for s=0.6 |
|-------------|-------|-------|-------|-------|-------|-------|-------|-------|-------|-------|-------|-------|-------|-------|-----------|
| Dz [mm] | 123.2 | 132.8 | 140.7 | 151.9 | 161.4 | 182.1 | 201.2 | 226.7 | 252.2 | 301.6 | 350.9 | 401.9 | 451.2 | 502.2 | |
| Dk [mm] | 124.2 | 133.8 | 141.7 | 152.9 | 162.4 | 183.1 | 202.2 | 227.7 | 253.2 | 302.6 | 351.9 | 402.9 | 452.2 | 503.2 | |
| Weight [kg] | 0.45 | 0.50 | 0.50 | 0.55 | 0.60 | 0.70 | 0.80 | 0.95 | 1.10 | 1.40 | 1.70 | 2.10 | 2.50 | 2.95 | |

DENOTATIONS / PRODUCT CODES

MATERIALS

KNS m x /45 - m s

sheet thickness
material
angle 45°
diameter DN
denotation for heat resistant steel sheet
adjustable elbow with fastening clamp

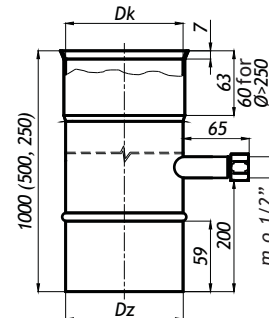
| | | | | |
|-------------------|----|---|---|---------------------------------|
| Destination | W | W | - | W - ventilation ducts |
| | S | - | - | S - flue (oil and gas) ducts |
| | - | - | D | D - smoke ducts |
| Material | CH | - | - | CH - stainless steel 1.4404 |
| | - | X | - | X - stainless steel 1.4301 |
| | - | - | Ż | Ż - heat resistant steel 1.4828 |
| Sheet thickness s | 5 | - | - | 5 - thickness 0,5 mm |
| | 6 | 6 | - | 6 - thickness 0,6 mm |
| | 8 | 8 | 8 | 8 - thickness 0,8 mm |
| | 1 | 1 | 1 | 1 - thickness 1,0 mm |

PICTURE

MEASUREMENTS

54. STRAIGHT PIPE WITH MEASURING OUTLET 1/2" ROP-1/2

ROP-1/2



| Diameter DN | Ø80 | Ø100 | Ø110 | Ø120 | Ø130 | Ø140 | Ø150 | Ø160 | Ø180 | Ø200 | Ø225 | Ø250 | Ø300 | Ø350 | Ø400 | Ø450 | Ø500 | for s=0.6 |
|-------------|------|-------|-------|-------|-------|-------|-------|-------|-------|-------|-------|-------|-------|-------|-------|-------|-------|-----------|
| Dz | 80.2 | 100.9 | 112.1 | 123.2 | 132.8 | 140.7 | 151.9 | 161.4 | 182.1 | 201.2 | 226.7 | 252.2 | 301.6 | 350.9 | 401.9 | 451.2 | 502.2 | |
| Dk | 81.2 | 101.9 | 113.1 | 124.2 | 133.8 | 141.7 | 152.9 | 162.4 | 183.1 | 202.2 | 227.7 | 253.2 | 302.6 | 351.9 | 402.9 | 452.2 | 503.2 | |
| Weight [kg] | 1.20 | 1.50 | 1.70 | 1.85 | 2.00 | 2.10 | 2.30 | 2.40 | 2.75 | 3.00 | 3.40 | 3.80 | 4.55 | 5.30 | 6.05 | 6.80 | 7.55 | |

DENOTATIONS / PRODUCT CODES

MATERIALS

ROP m x / L - m s -1/2

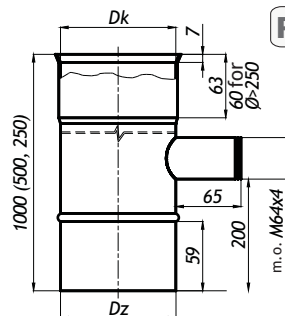
measuring outlet 1/2"
sheet thickness
material
length [mm]
diameter DN
denotation for heat resistant steel sheet
straight pipe with measuring outlet 1/2"

| | | | | |
|-------------------|----|---|---|---------------------------------|
| Destination | W | W | - | W - ventilation ducts |
| | S | - | - | S - flue (oil and gas) ducts |
| | - | - | D | D - smoke ducts |
| Material | CH | - | - | CH - stainless steel 1.4404 |
| | - | X | - | X - stainless steel 1.4301 |
| | - | - | Ż | Ż - heat resistant steel 1.4828 |
| Sheet thickness s | 5 | - | - | 5 - thickness 0,5 mm |
| | 6 | 6 | - | 6 - thickness 0,6 mm |
| | 8 | 8 | 8 | 8 - thickness 0,8 mm |
| | 1 | 1 | 1 | 1 - thickness 1,0 mm |

PICTURE

MEASUREMENTS

55. STRAIGHT PIPE WITH MEASURING OUTLET M64x4 ROP-64

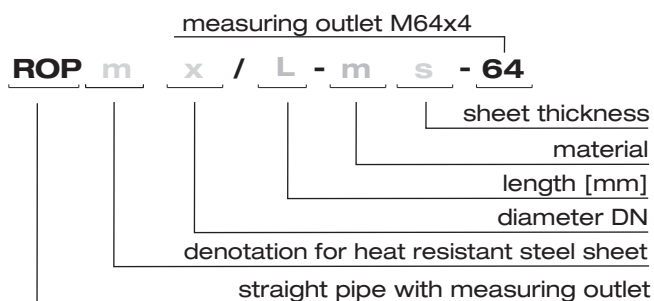


ROP-64

| Diameter DN | Ø80 | Ø100 | Ø110 | Ø120 | Ø130 | Ø140 | Ø150 | Ø160 | Ø180 | Ø200 | Ø225 | Ø250 | Ø300 | Ø350 | Ø400 | Ø450 | Ø500 |
|-------------|------|-------|-------|-------|-------|-------|-------|-------|-------|-------|-------|-------|-------|-------|-------|-------|-------|
| Dz | 80.2 | 100.9 | 112.1 | 123.2 | 132.8 | 140.7 | 151.9 | 161.4 | 182.1 | 201.2 | 226.7 | 252.2 | 301.6 | 350.9 | 401.9 | 451.2 | 502.2 |
| Dk | 81.2 | 101.9 | 113.1 | 124.2 | 133.8 | 141.7 | 152.9 | 162.4 | 183.1 | 202.2 | 227.7 | 253.2 | 302.6 | 351.9 | 402.9 | 452.2 | 503.2 |
| Weight [kg] | 1.20 | 1.50 | 1.70 | 1.85 | 2.00 | 2.10 | 2.30 | 2.40 | 2.75 | 3.00 | 3.40 | 3.80 | 4.55 | 5.30 | 6.05 | 6.80 | 7.55 |

for s=0.6

DENOTATIONS / PRODUCT CODES



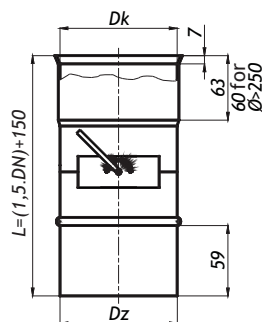
MATERIALS

| Destination | W | W | - | W - ventilation ducts |
|-------------------|----|---|---|---------------------------------|
| | S | - | - | S |
| | - | - | D | D - smoke ducts |
| Material | CH | - | - | CH - stainless steel 1.4404 |
| | - | X | - | X - stainless steel 1.4301 |
| | - | - | Ž | Ž - heat resistant steel 1.4828 |
| Sheet thickness s | 5 | - | - | 5 - thickness 0,5 mm |
| | 6 | 6 | - | 6 - thickness 0,6 mm |
| | 8 | 8 | 8 | 8 - thickness 0,8 mm |
| | 1 | 1 | 1 | 1 - thickness 1,0 mm |

PICTURE

MEASUREMENTS

56. STRAIGHT PIPE WITH A DAMPER RPP

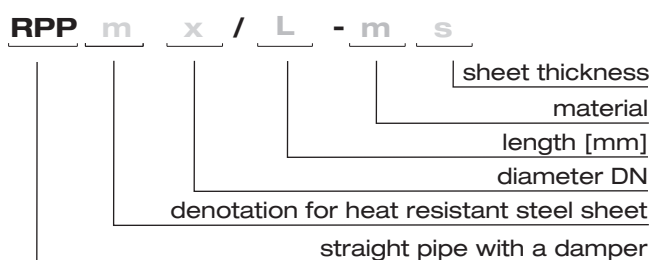


RPP

| Diameter DN | Ø80 | Ø100 | Ø110 | Ø120 | Ø130 | Ø140 | Ø150 | Ø160 | Ø180 | Ø200 | Ø225 | Ø250 | Ø300 | Ø350 | Ø400 | Ø450 | Ø500 |
|-------------|------|-------|-------|-------|-------|-------|-------|-------|-------|-------|-------|-------|-------|-------|-------|-------|-------|
| Dz | 80.2 | 100.9 | 112.1 | 123.2 | 132.8 | 140.7 | 151.9 | 161.4 | 182.1 | 201.2 | 226.7 | 252.2 | 301.6 | 350.9 | 401.9 | 451.2 | 502.2 |
| Dk | 81.2 | 101.9 | 113.1 | 124.2 | 133.8 | 141.7 | 152.9 | 162.4 | 183.1 | 202.2 | 227.7 | 253.2 | 302.6 | 351.9 | 402.9 | 452.2 | 503.2 |
| Weight [kg] | 0.40 | 0.50 | 0.60 | 0.65 | 0.75 | 0.80 | 0.85 | 1.00 | 1.20 | 1.40 | 1.70 | 2.00 | 2.75 | 3.60 | 4.60 | 5.70 | 6.90 |

for s=0.6

DENOTATIONS / PRODUCT CODES

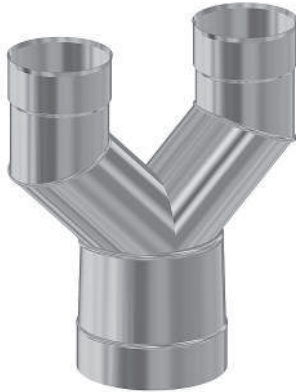


MATERIALS

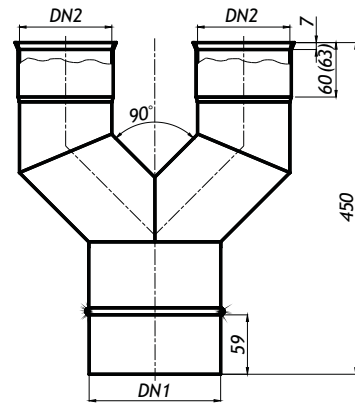
| Destination | W | W | - | W - ventilation ducts |
|-------------------|----|---|---|---------------------------------|
| | S | - | - | S |
| | - | - | D | D - smoke ducts |
| Material | CH | - | - | CH - stainless steel 1.4404 |
| | - | X | - | X - stainless steel 1.4301 |
| | - | - | Ž | Ž - heat resistant steel 1.4828 |
| Sheet thickness s | 5 | - | - | 5 - thickness 0,5 mm |
| | 6 | 6 | - | 6 - thickness 0,6 mm |
| | 8 | 8 | 8 | 8 - thickness 0,8 mm |
| | 1 | 1 | 1 | 1 - thickness 1,0 mm |

PICTURE

57. REDUCING TEE YR



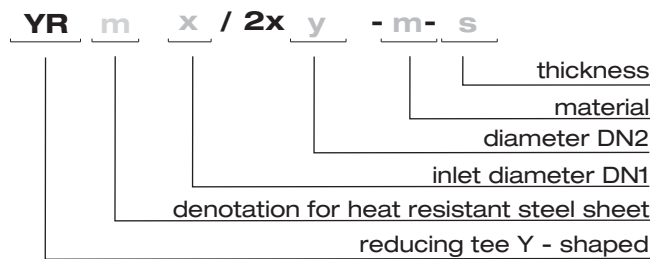
MEASUREMENTS



YR

| | | | | | |
|--------------|------|------|------|------|------|
| Diameter DN1 | Ø180 | Ø200 | Ø225 | | |
| Diameter DN2 | Ø110 | Ø120 | Ø130 | Ø140 | Ø150 |

DENOTATIONS / PRODUCT CODES



MATERIALS

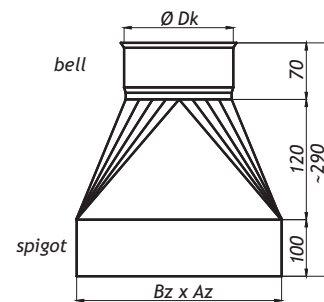
| | | | | |
|-------------------|----|---|---|---------------------------------|
| Destination | W | W | - | W - ventilation ducts |
| | S | - | - | S - flue (oil and gas) ducts |
| | - | - | D | D - smoke ducts |
| Material | CH | - | - | CH - stainless steel 1.4404 |
| | - | X | - | X - stainless steel 1.4301 |
| | - | - | Ž | Ž - heat resistant steel 1.4828 |
| Sheet thickness s | - | - | - | 5 - thickness 0,5 mm |
| | 6 | 6 | - | 6 - thickness 0,6 mm |
| | 8 | 8 | 8 | 8 - thickness 0,8 mm |
| | 1 | 1 | 1 | 1 - thickness 1,0 mm |

PICTURE

58. REDUCER SEGMENT-TYPE RD-K



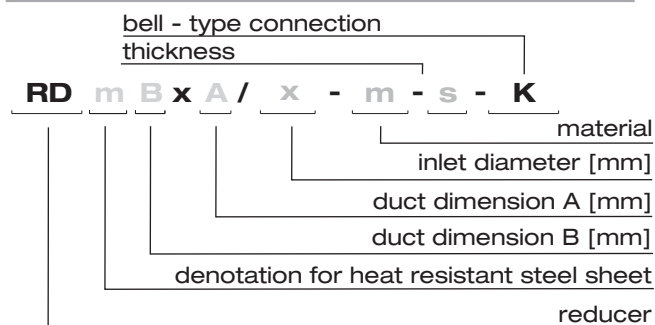
MEASUREMENTS



RD-K

| | | | | | | | | | | | |
|-------------|-------|-------|-------|-------|-------|-------|-------|-------|-------|-------|-----------|
| Diameter DN | Ø150 | Ø160 | Ø170 | Ø180 | Ø190 | Ø200 | Ø210 | Ø225 | Ø250 | Ø300 | for s=0,6 |
| Dk [mm] | 152.9 | 162.4 | 172.0 | 183.1 | 192.7 | 202.2 | 211.8 | 227.7 | 253.2 | 302.6 | |
| Az [mm] | 120 | 125 | 135 | 120 | 120 | 120 | 120 | 125 | 135 | 235 | |
| Bz [mm] | 120 | 130 | 135 | 165 | 180 | 200 | 210 | 230 | 260 | 235 | |
| Weight [kg] | 0.60 | 0.63 | 0.66 | 0.70 | 0.73 | 0.78 | 0.80 | 0.87 | 0.97 | 1.15 | |

DENOTATIONS / PRODUCT CODES



MATERIALS

| | | | | |
|-------------------|----|---|---|---------------------------------|
| Destination | W | W | - | W - ventilation ducts |
| | S | - | - | S - flue (oil and gas) ducts |
| | - | - | D | D - smoke ducts |
| Material | CH | - | - | CH - stainless steel 1.4404 |
| | - | X | - | X - stainless steel 1.4301 |
| | - | - | Ž | Ž - heat resistant steel 1.4828 |
| Sheet thickness s | 5 | - | - | 5 - thickness 0,5 mm |
| | 6 | 6 | - | 6 - thickness 0,6 mm |
| | 8 | 8 | 8 | 8 - thickness 0,8 mm |
| | 1 | 1 | 1 | 1 - thickness 1,0 mm |

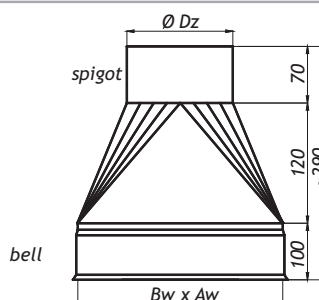
PICTURE

59. REDUCER SEGMENT-TYPE RD-N



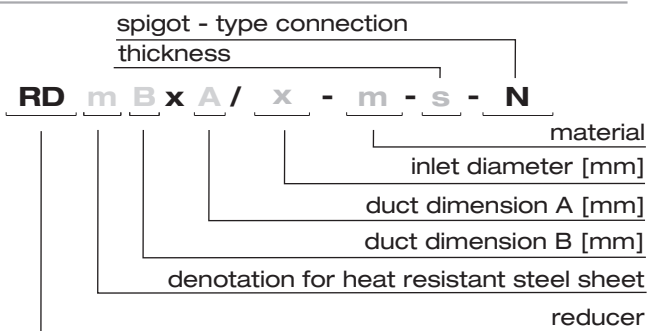
MEASUREMENTS

RD-N



| Diameter DN | Ø150 | Ø160 | Ø170 | Ø180 | Ø190 | Ø200 | Ø210 | Ø225 | Ø250 | Ø300 | for s=0.6 |
|-------------|-------|-------|-------|-------|-------|-------|-------|-------|-------|-------|-----------|
| Dz [mm] | 151.9 | 161.4 | 171.0 | 182.1 | 191.7 | 201.2 | 210.8 | 226.7 | 252.2 | 301.6 | |
| Aw [mm] | 120 | 125 | 135 | 120 | 120 | 120 | 120 | 125 | 135 | 235 | |
| Bw [mm] | 120 | 130 | 135 | 165 | 180 | 200 | 210 | 230 | 260 | 235 | |
| Weight [kg] | 0.60 | 0.63 | 0.66 | 0.70 | 0.73 | 0.78 | 0.80 | 0.87 | 0.97 | 1.15 | |

DENOTATIONS / PRODUCT CODES



MATERIALS

| Destination | W | W | - | W - ventilation ducts |
|-------------------|----|---|---|---------------------------------|
| | S | - | - | S - flue (oil and gas) ducts |
| | - | - | D | D - smoke ducts |
| Material | CH | - | - | CH - stainless steel 1.4404 |
| | - | X | - | X - stainless steel 1.4301 |
| | - | - | Ž | Ž - heat resistant steel 1.4828 |
| Sheet thickness s | 5 | - | - | 5 - thickness 0,5 mm |
| | 6 | 6 | - | 6 - thickness 0,6 mm |
| | 8 | 8 | 8 | 8 - thickness 0,8 mm |
| | 1 | 1 | 1 | 1 - thickness 1,0 mm |